



0 20' 40' 80'
SCALE IN FEET
MINOR CONTOUR INTERVAL = 1'
MAJOR CONTOUR INTERVAL = 5'

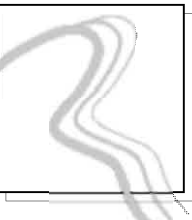
SERRANO VILLAGE J7

TENTATIVE GRADING/DRAINAGE STUDY

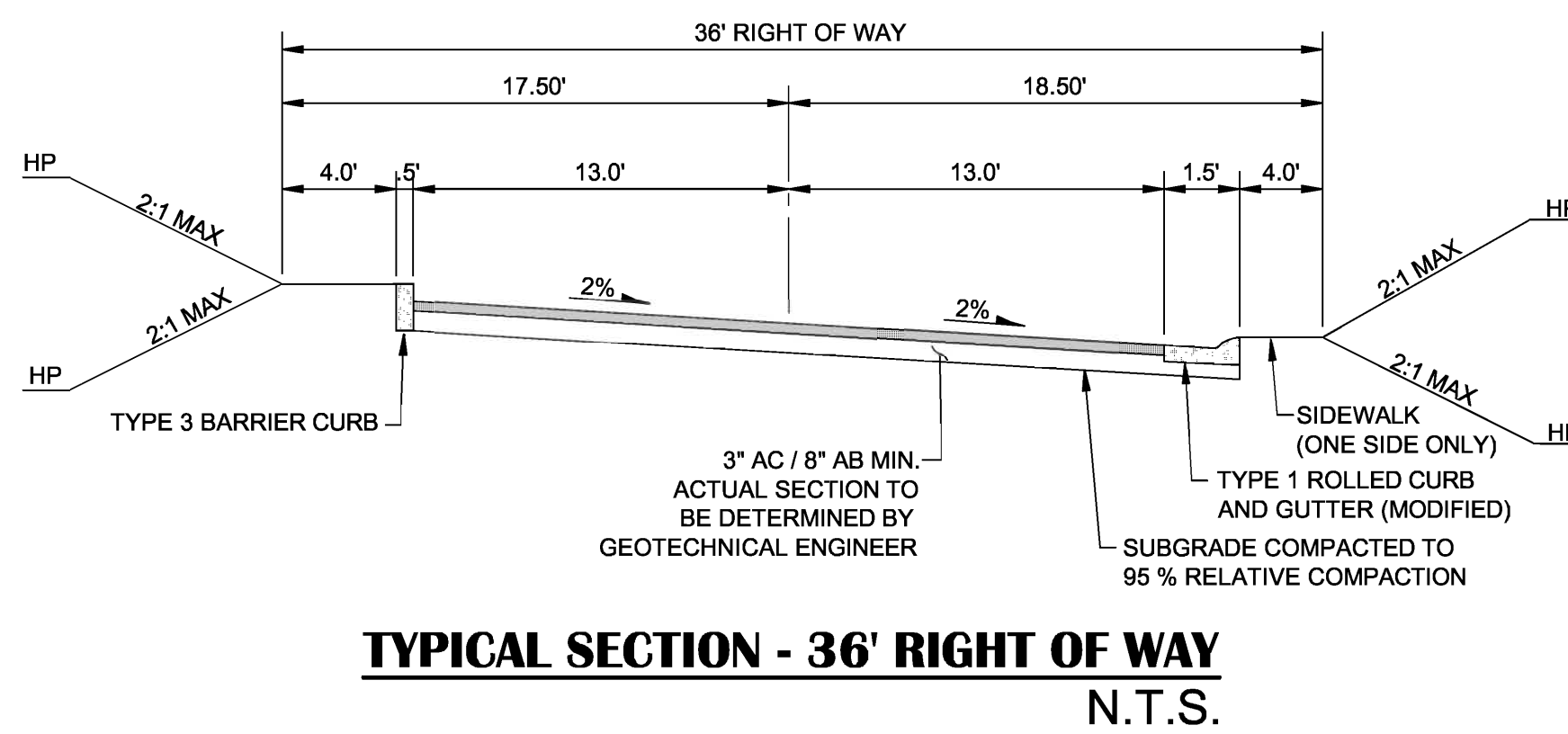
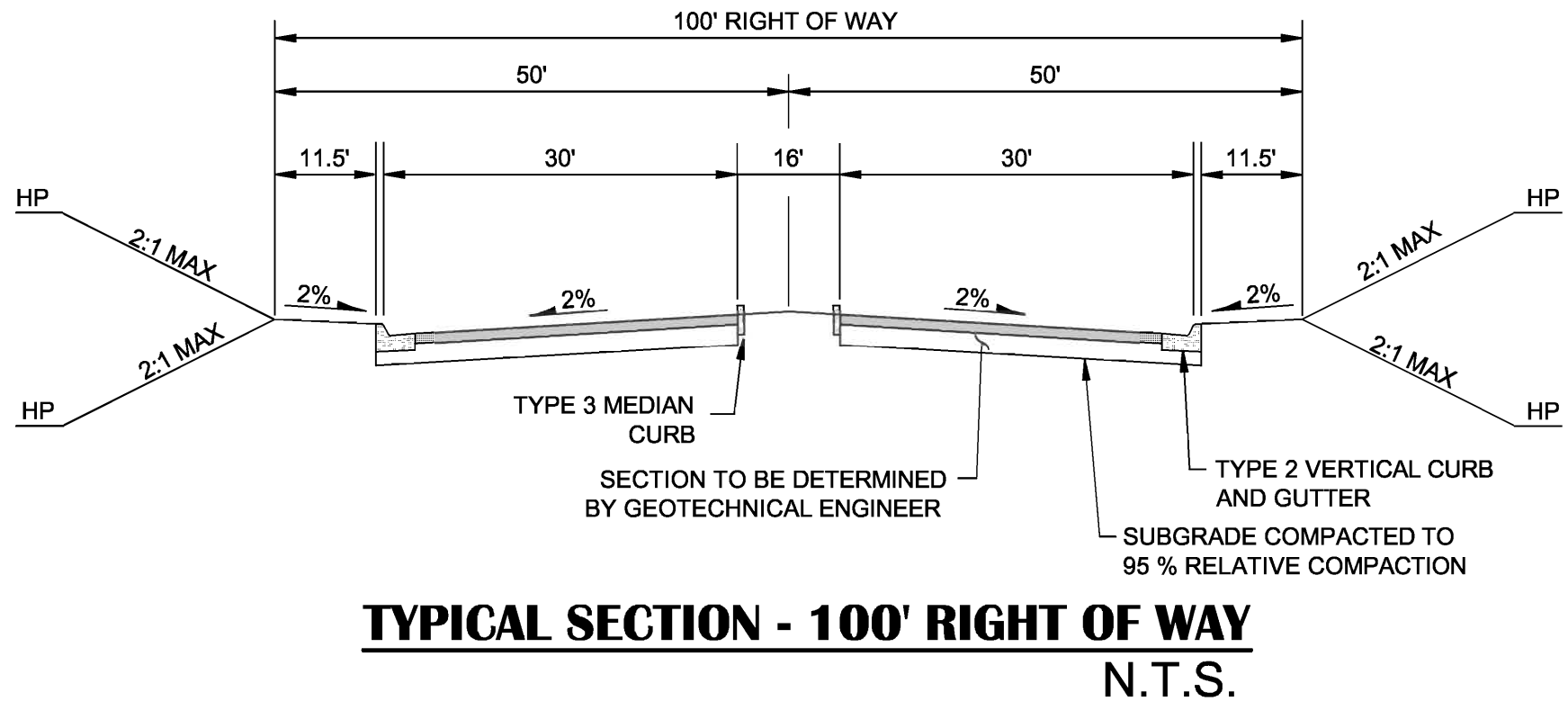
EL DORADO COUNTY CALIFORNIA

JULY, 2007

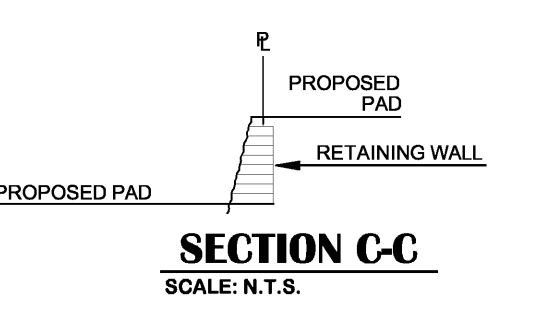
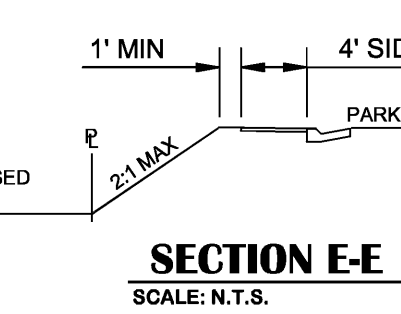
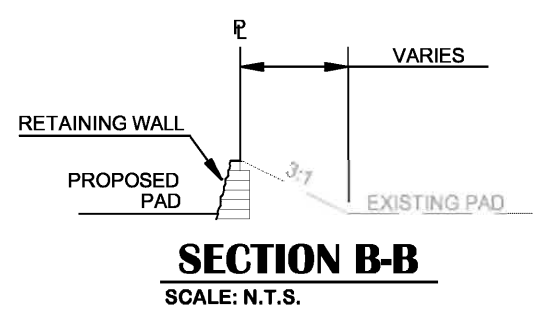
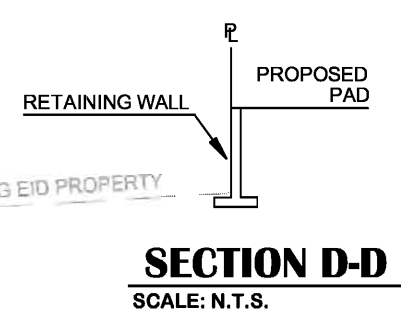
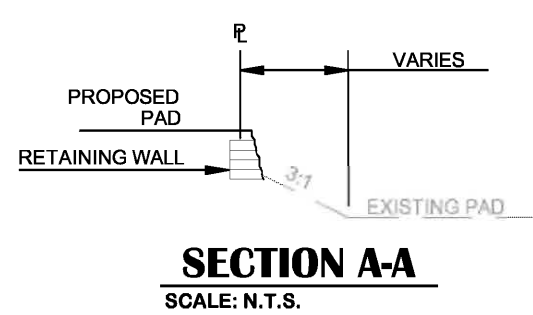
905 Sutter Street, Suite 200, Folsom, CA 95630
(916) 366-3040 Fax (916) 366-3009
R.E.Y. ENGINEERS, Inc.
Civil Engineers / Land Surveyors



SERRANO



PRELIMINARY DIRT QUANTITIES
CUT = 18,449 CU. YDS.
FILL = 17,794 CU. YDS.
NET = 655 CU. YDS. (EXPORT)
DISTURBED AREA = 9.8 AC



LEGEND

EXISTING	PROPOSED	DESCRIPTION
		CURB, GUTTER & SIDEWALK
		DRAIN MANHOLE
		DRAIN INLET
		PAD ELEVATION
		DRAIN LINE AND SIZE
		RETAINING WALL
		PROPERTY LINE
		LOT NUMBER
		TBC ELEVATION
		STREET GRADE & DIRECTION
		FENCE
		SWALE
		CONTOURS

