

325



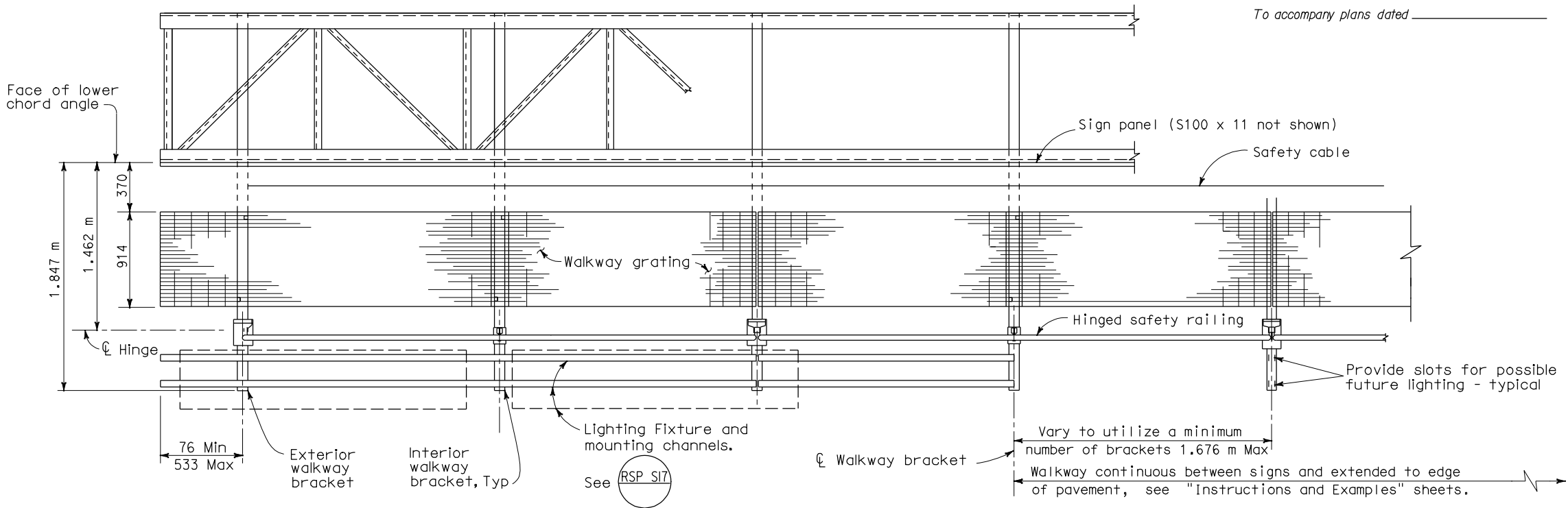
DIST	COUNTY	ROUTE	KILOMETER POST TOTAL PROJECT	SHEET NO.	TOTAL SHEETS

REGISTERED CIVIL ENGINEER
Tillot Sattor
 No. C42892
 Exp. 03-31-2006
 CIVIL
 STATE OF CALIFORNIA

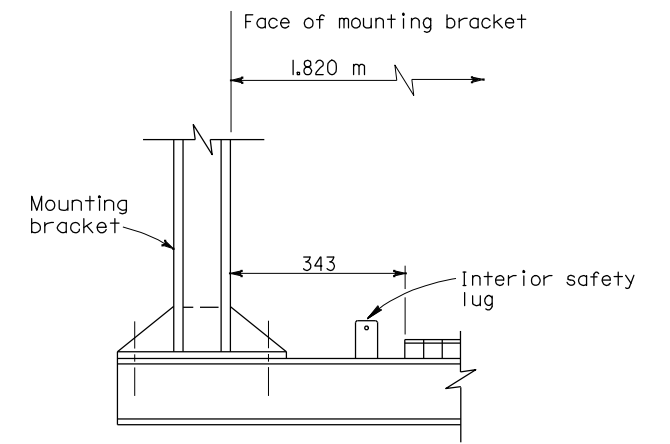
April 28, 2005
 PLANS APPROVAL DATE

The State of California or its officers or agents shall not be responsible for the accuracy or completeness of electronic copies of this plan sheet.

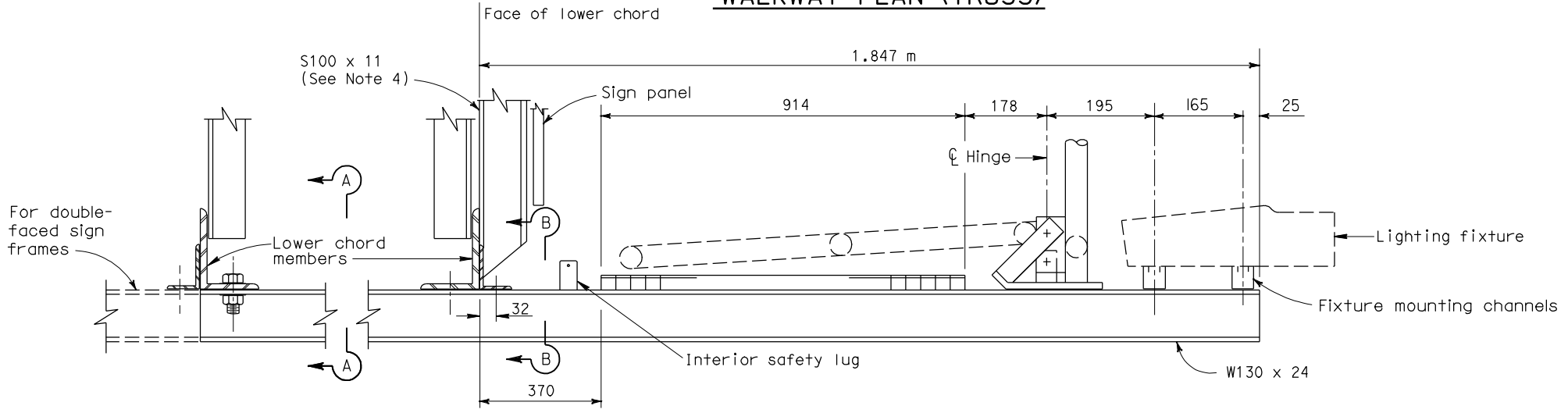
To get to the Caltrans web site, go to: <http://www.dot.ca.gov>



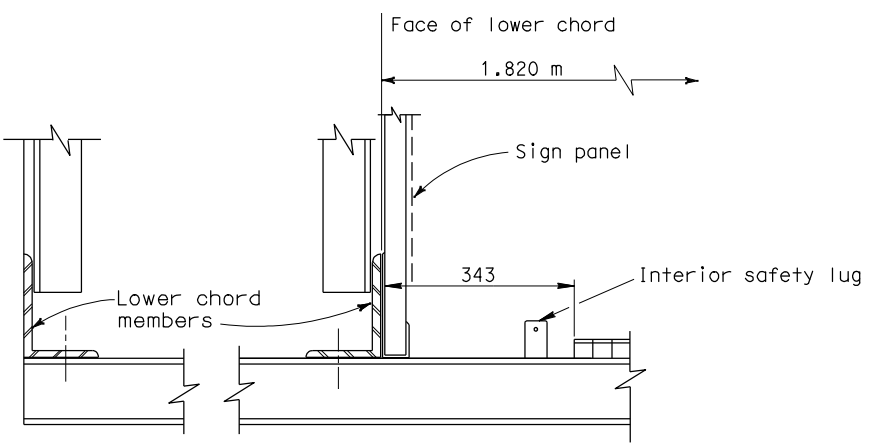
WALKWAY PLAN (TRUSS)



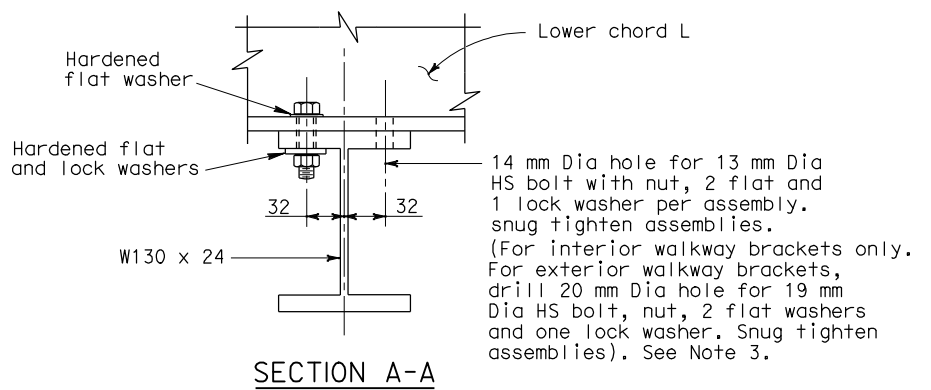
TUBULAR MOUNTED



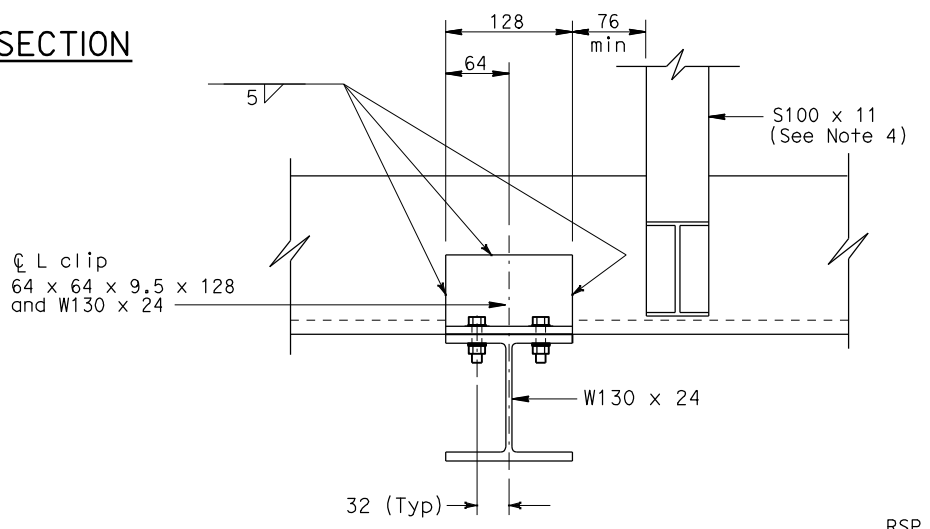
TYPICAL WALKWAY SECTION



BOX BEAM CLOSED TRUSS



SECTION A-A



SECTION B-B

NOTES:

1. For spacing of lighting fixtures, see Standard Plan ES-15A.
2. For safety lug details, see Revised Standard Plan RSP S17.
3. For double faced sign frames with double walkways, use a total 8 bolt assemblies per bracket.
4. S100 x 11 to be used with laminated Type A panels. See Revised Standard Plan RSP S19.

STATE OF CALIFORNIA
 DEPARTMENT OF TRANSPORTATION

**OVERHEAD SIGNS
 WALKWAY DETAILS No.1**

NO SCALE
 ALL DIMENSIONS ARE IN
 MILLIMETERS UNLESS OTHERWISE SHOWN

RSP S16 DATED APRIL 28, 2005 SUPERSEDES RSP S16 DATED JANUARY 24, 2005 AND STANDARD PLAN S16 DATED JULY 1, 2004-PAGE 325 OF THE STANDARD PLANS BOOK DATED JULY 2004.

REVISED STANDARD PLAN RSP S16

2004 REVISED STD PLAN RSP S16