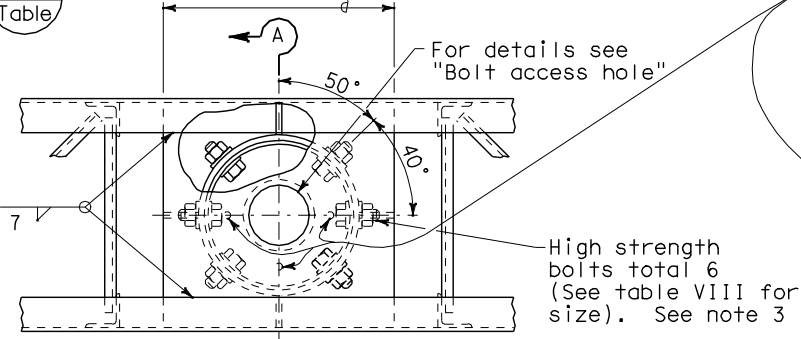


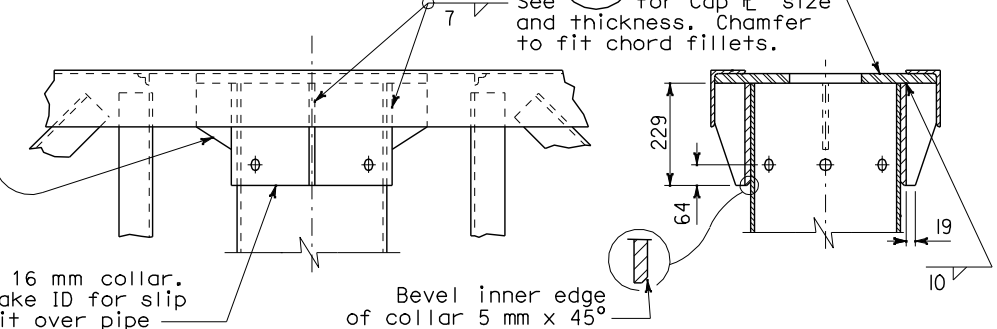
See RSP S2 Table for cap R dimensions.



Drill thru outer collar and post wall for bolts. Provide hardened contoured washers under bolt head and nut. Hardened contoured washers to be 76x76x7.9 Min. Grind face to fit.

13 mm Gusset R (4 required). Where gusset interferes with bolt, cut to clear

PLAN



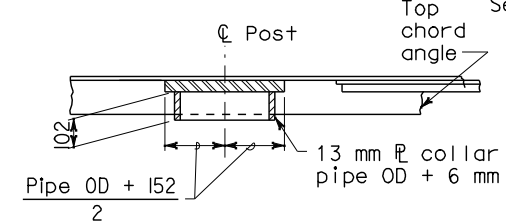
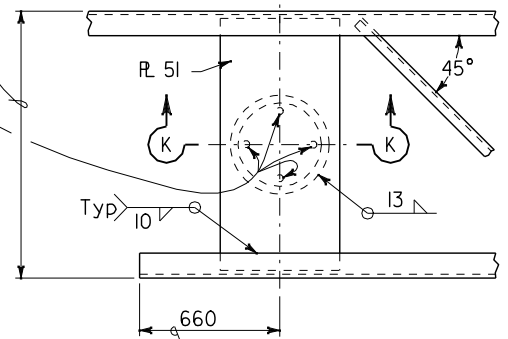
ELEVATION

UPPER JUNCTION CONNECTION

Single Post Type

Optional galvanizing drain holes: Drill and tap through cap plate for 16 mm Max Dia bolt. Hole shall be 7 mm clear of inside collar wall. Bolt length sized not to interfere with post. Install bolt after galvanizing.

R length = Frame width less thickness of chord angles. Chamfer to fit chord fillets.

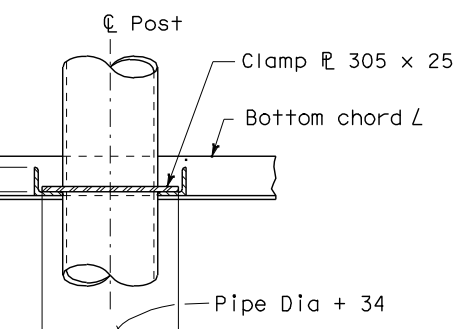
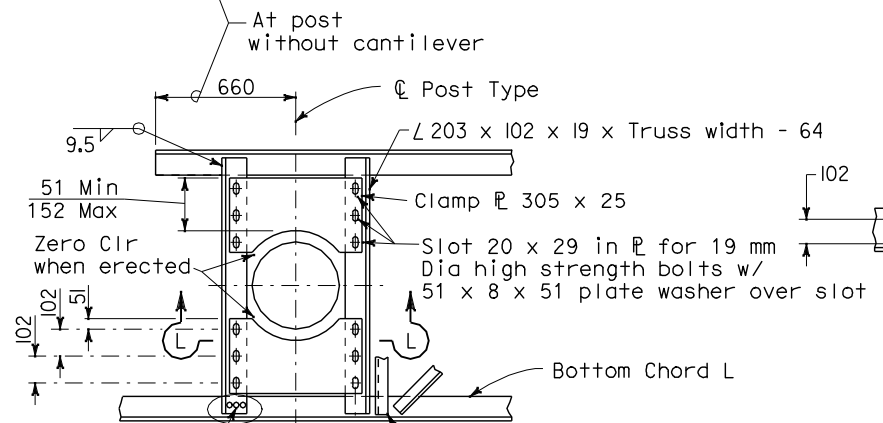


SECTION K-K
Without photoelectric unit

SECTION K-K
With photoelectric unit

UPPER CHORD CONNECTION TO POST

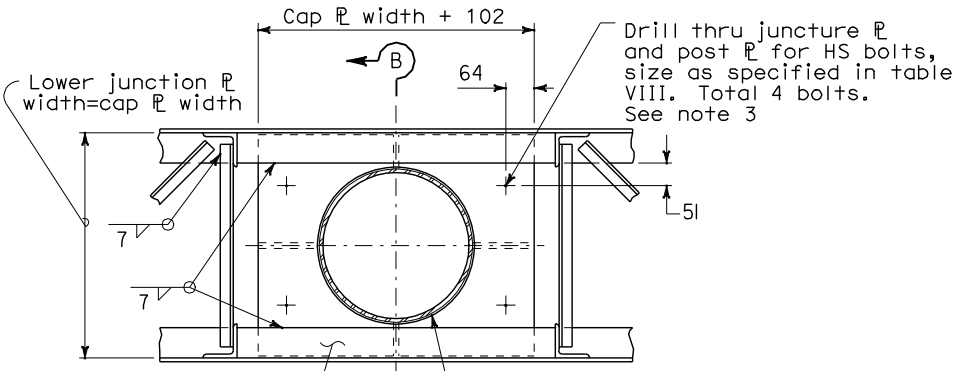
Two Post Type



SECTION L-L

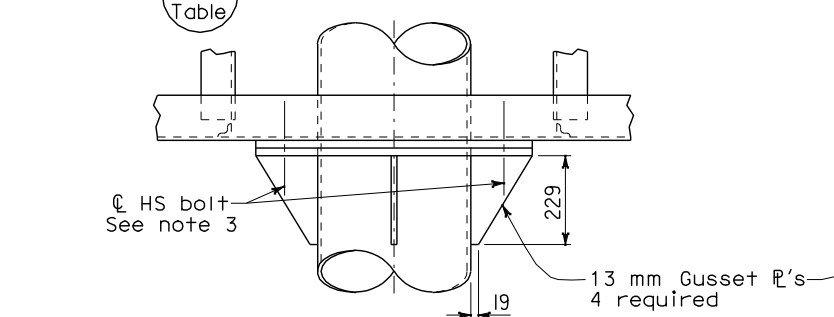
LOWER CHORD CONNECTION TO POST

Two Post Type



PLAN

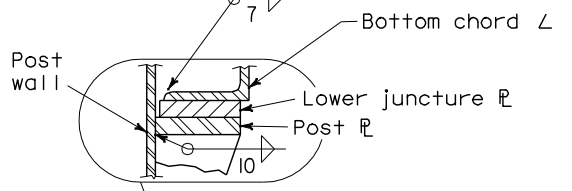
Lower juncture R same thickness as corresponding cap R. See RSP S2 Table



ELEVATION

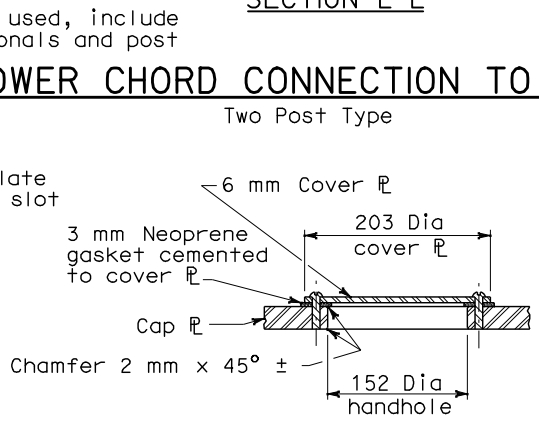
LOWER JUNCTION CONNECTION

Single Post Type



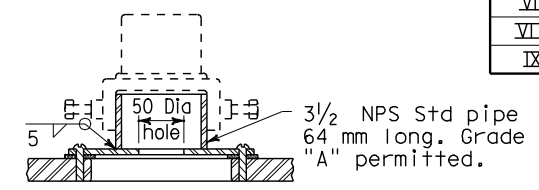
SECTION B-B

Post R. Same size and thickness as lower juncture plate. Cut for post OD + 5 mm Max and weld to post.



SECTION

Without photoelectric unit



SECTION

With photoelectric unit

BOLT-ACCESS HOLE

Single Post Type

Notes: (Single Post Type)

- In all cases, truss shall be supported at lower juncture connection. Bearing surface shall be finished true.
- Post to truss connections shall be fitted in shop.
- High strength bolts shall be snug tighten. Torque requirements are waived.
- See Part Plan of Cantilever Type at post on Revised Standard Plan RSP S4.

DIST COUNTY ROUTE KILOMETER POST TOTAL PROJECT SHEET NO. TOTAL SHEETS

Caltrans Metric

REGISTERED CIVIL ENGINEER

January 24, 2005
PLANS APPROVAL DATE

Tillat Sattar
No. C42892
Exp 03-31-2006
CIVIL
STATE OF CALIFORNIA

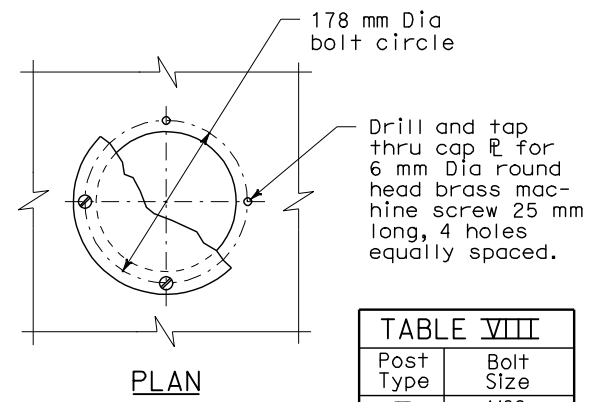
The State of California or its officers or agents shall not be responsible for the accuracy or completeness of electronic copies of this plan sheet.

To get to the Caltrans web site, go to: <http://www.dot.ca.gov>

To accompany plans dated _____

Notes:

- Post not shown.
- Photoelectric unit and 3-prong, EEL-NEMA standard, twist lock plug reception.



PLAN

Post Type	Bolt Size
II	M22
III	M24
IV	M27
V	M27
VI	M30
VII	M30
VIII	M36
IX	M36

STATE OF CALIFORNIA
DEPARTMENT OF TRANSPORTATION

OVERHEAD SIGNS-TRUSS
FRAME JUNCTION DETAILS

NO SCALE

ALL DIMENSIONS ARE IN
MILLIMETERS UNLESS OTHERWISE SHOWN

RSP S13 DATED JANUARY 24, 2005 SUPERSEDES STANDARD PLAN S13
DATED JULY 1, 2004-PAGE 322 OF THE STANDARD PLANS BOOK DATED JULY 2004.

REVISED STANDARD PLAN RSP S13