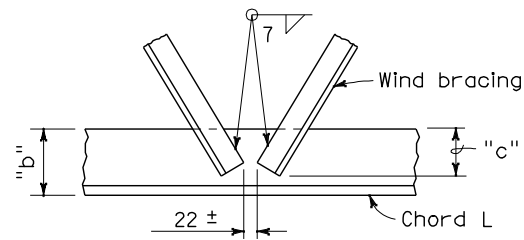
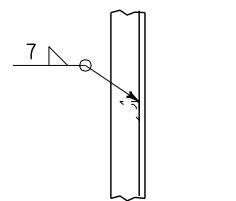


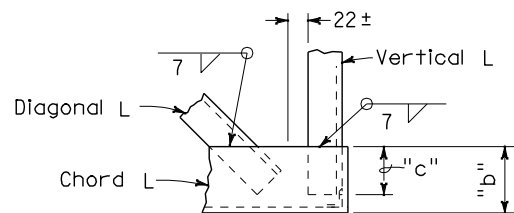
DETAIL ①



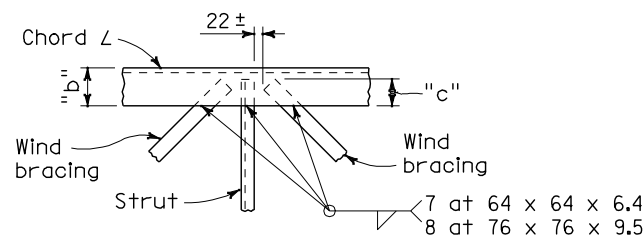
DETAIL ②



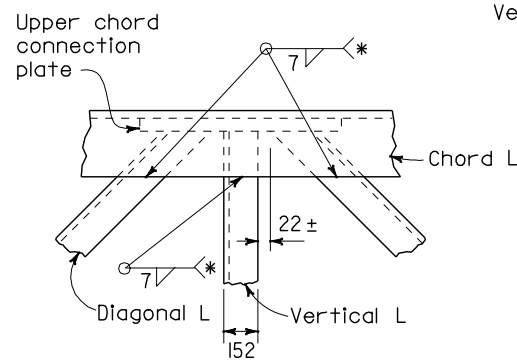
DETAIL ③



DETAIL ④

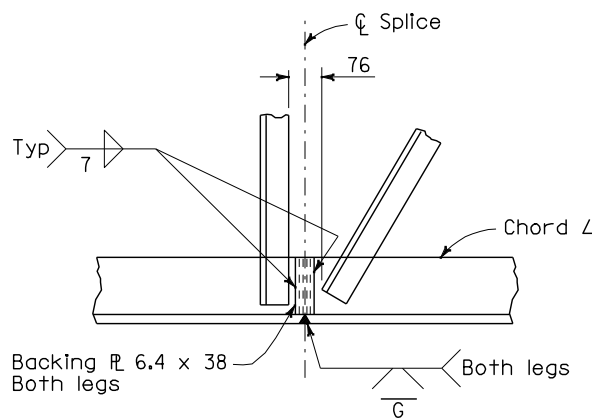


DETAIL ⑤

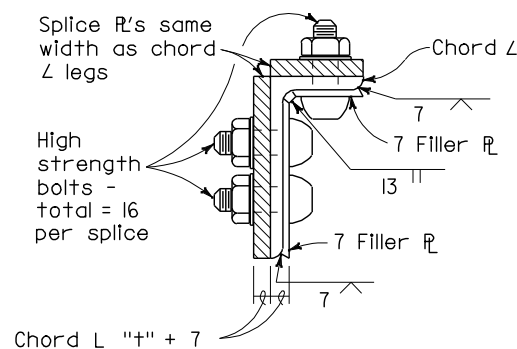


DETAIL ⑥

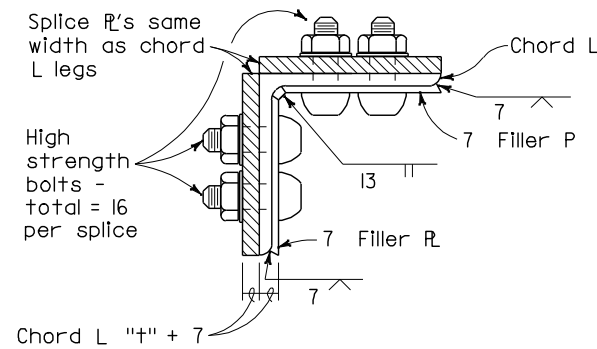
* Welds are to upper chord connection plate and chord angle



WELDED CHORD SPLICE



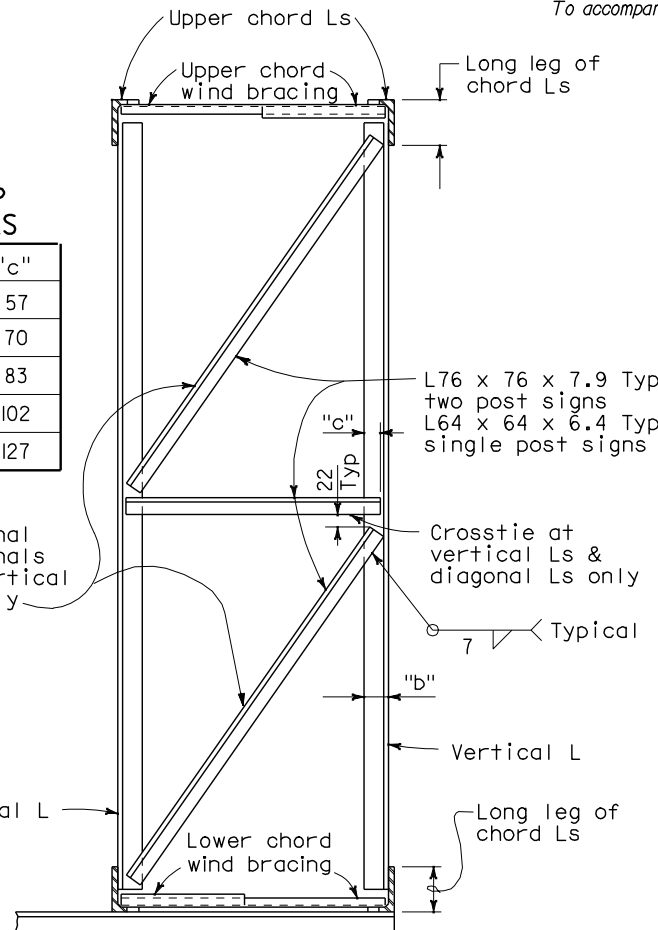
SECTION T-T
TWO POST SIGNS



SECTION T-T
SINGLE POST SIGNS

OVERLAP DISTANCES

"b"	"c"
89	57
102	70
127	83
152	102
203	127



TYPICAL SECTION J-J

Note:
Diagonal Ls in plane of truss not shown. Bracing shown is at all vertical Ls of truss.

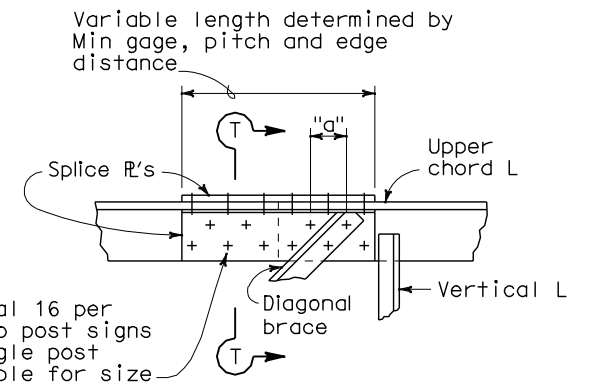
To accompany plans dated _____



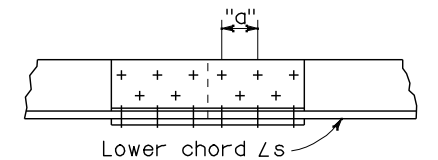
BOLTED CHORD SPLICE

TWO POST SIGNS		
Chord L	Nominal Bolt Diameter	"a" mm Min
127 x 89 x 9.5	M20 x 2.5	64
152 x 102 x 12.7	M22 x 2.5	76
203 x 102 x 19.0	M30 x 3.5	96
203 x 152 x 19.0	M30 x 3.5	96
SINGLE POST SIGNS		
Chord L	Nominal Bolt Diameter	"a" mm Min
127 x 127 x 12.7	M22 x 2.5	76
152 x 152 x 12.7	M22 x 2.5	76

HS bolts - total 16 per splice. for two post signs and 20 per single post signs. See table for size



SPLICE WITH DIAGONAL ANGLE



SPLICE WITHOUT DIAGONAL ANGLE

BOLTED CHORD SPLICE

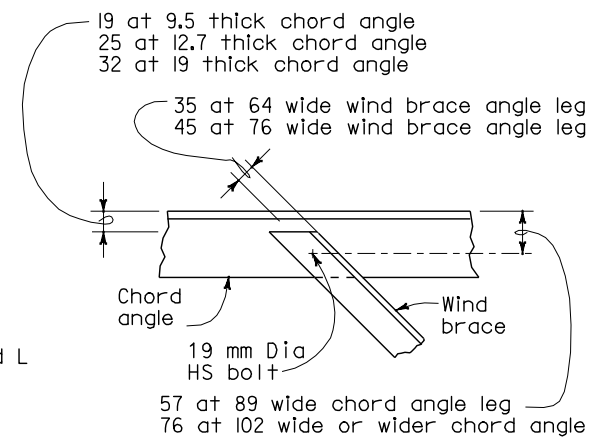
SPLICE NOTES

Location of Splices:

The splice shall be located so as not to interfere with mounting the walkway brackets or the clip angles for the removable sign panel frame. For two post type see also S11.

Filler P :

The plates welded to the angle legs on the inside shall be welded before drilling the bolt holes. The plates shall be the same length as the cover plates. The plates are not necessary on the single post signs if the splice is located over 1/3 of the cantilever length from the post. Alternative splice details may be used if approved by the Engineer.



BOLTED WIND BRACE DETAIL

Each end of wind brace at bolted chord splice

STATE OF CALIFORNIA
DEPARTMENT OF TRANSPORTATION

**OVERHEAD SIGNS-TRUSS
STRUCTURAL FRAME DETAILS**

NO SCALE

ALL DIMENSIONS ARE IN
MILLIMETERS UNLESS OTHERWISE SHOWN

RSP S12 DATED JANUARY 24, 2005 SUPERSEDES STANDARD PLAN S12
DATED JULY 1, 2004-PAGE 321 OF THE STANDARD PLANS BOOK DATED JULY 2004.

REVISED STANDARD PLAN RSP S12