



DIST	COUNTY	ROUTE	KILOMETER POST TOTAL PROJECT	SHEET NO.	TOTAL SHEETS

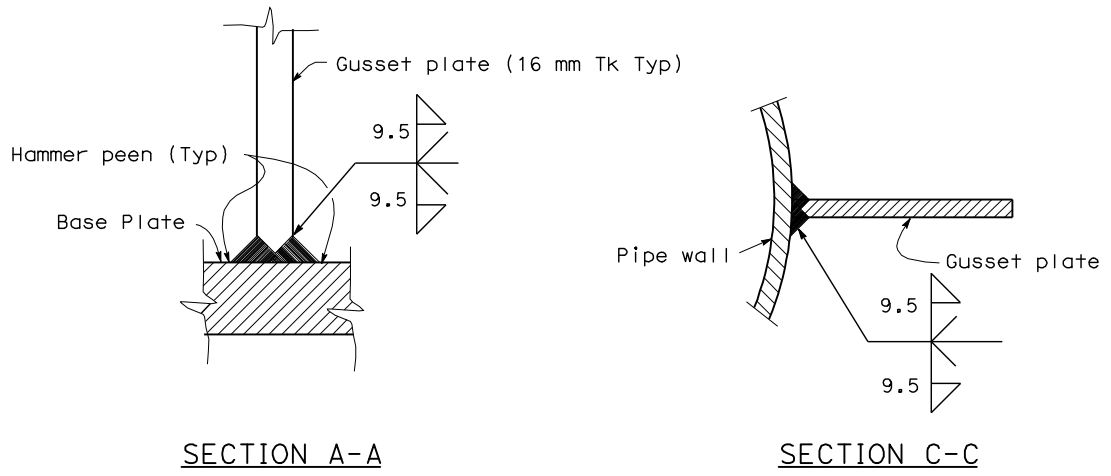
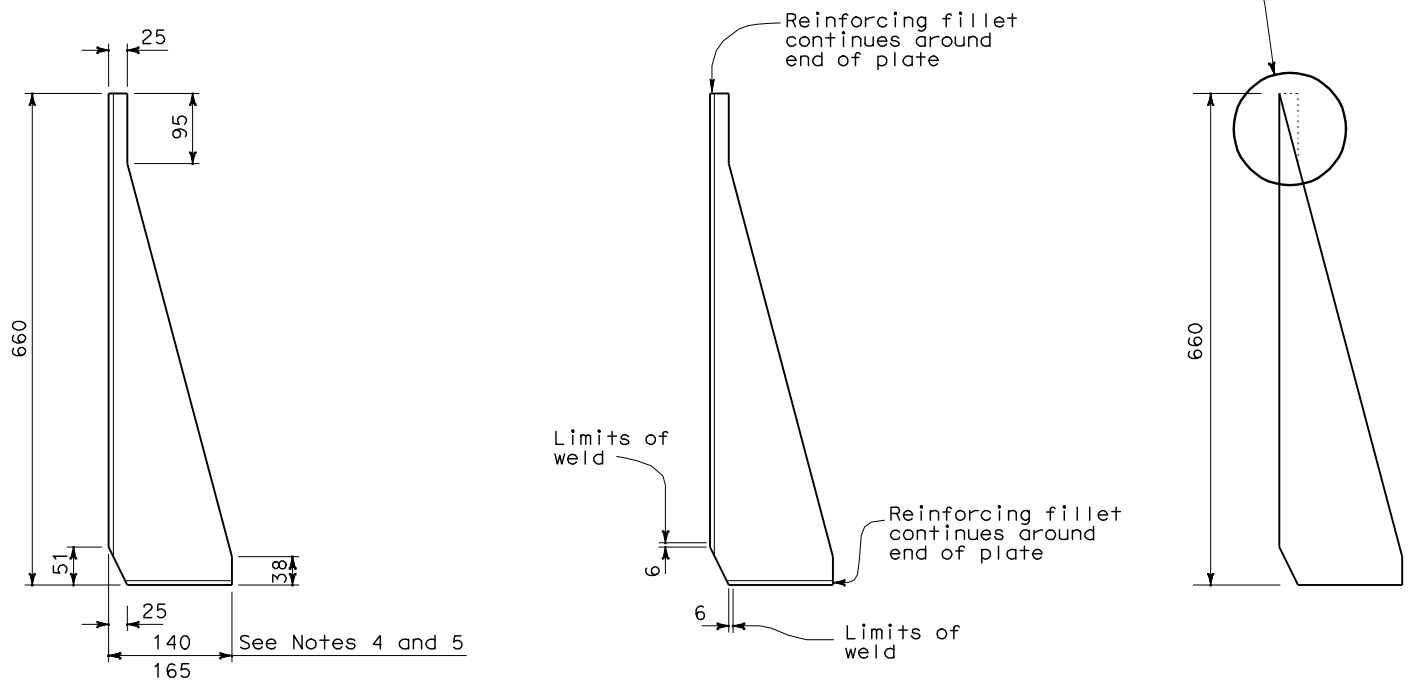
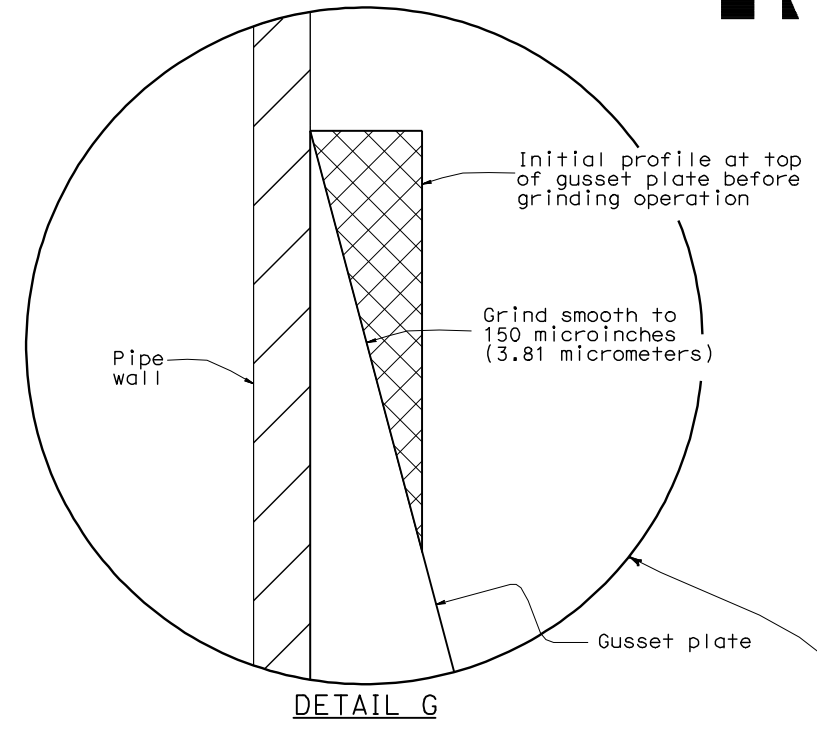
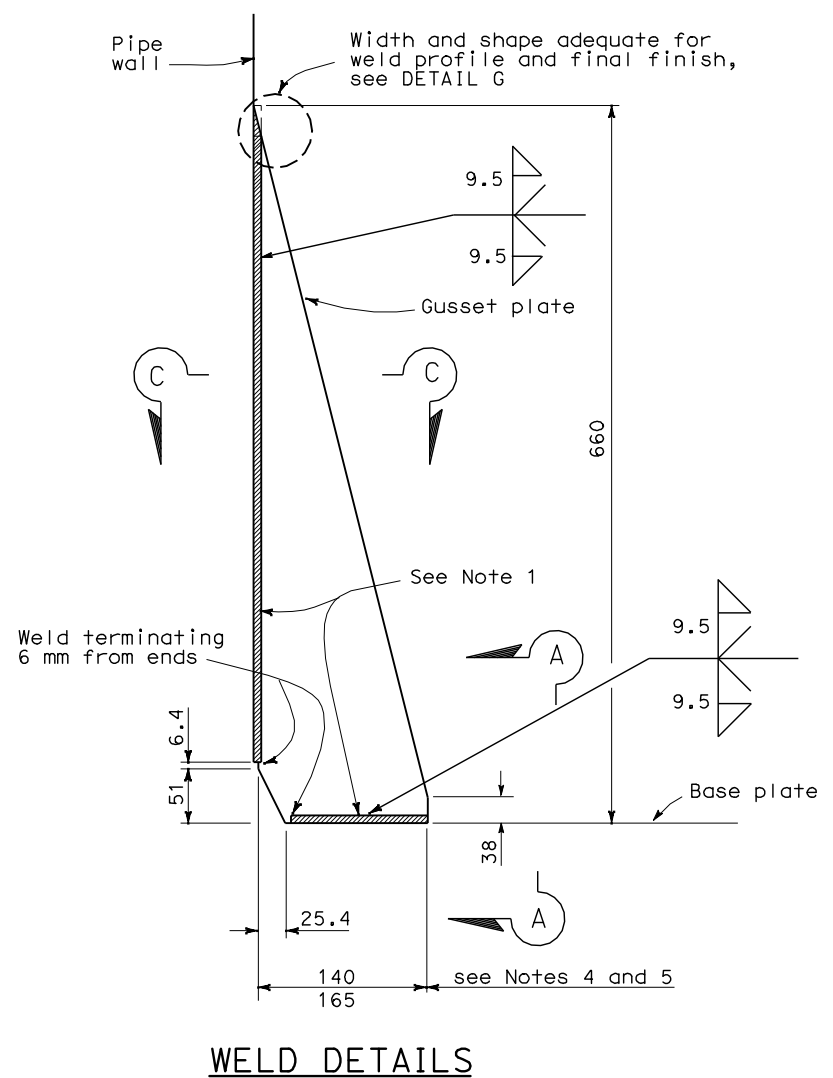
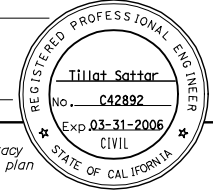
REGISTERED CIVIL ENGINEER

January 24, 2005
PLANS APPROVAL DATE

The State of California or its officers or agents shall not be responsible for the accuracy or completeness of electronic copies of this plan sheet.

To get to the Caltrans web site, go to: <http://www.dot.ca.gov>

To accompany plans dated _____



- NOTES**
1. All welding details shall conform to the requirements of AWS D1.1 and special provisions.
 2. All gussets to be same height.
 3. Provide a smooth transition from gusset plate to tube.
 4. 140 mm for post Types I-S through V-S and single post with 12 and 14 bolts pattern.
 5. 165 mm for post Type VI-S and VII-S and single post with 16 bolts pattern.

STATE OF CALIFORNIA
DEPARTMENT OF TRANSPORTATION

**OVERHEAD SIGNS-TRUSS
GUSSET PLATE DETAILS**

NO SCALE

ALL DIMENSIONS ARE IN MILLIMETERS UNLESS OTHERWISE SHOWN

RSP S6 DATED JANUARY 24, 2005 SUPERSEDES STANDARD PLAN S6 DATED JULY 1, 2004-PAGE 315 OF THE STANDARD PLANS BOOK DATED JULY 2004.

REVISED STANDARD PLAN RSP S6

315

2004 REVISED Std PLAN RSP S6