



DIST	COUNTY	ROUTE	KILOMETER POST TOTAL PROJECT	SHEET NO.	TOTAL SHEETS

REGISTERED CIVIL ENGINEER  
**Tillat Sattar**  
 No. C42892  
 Exp 03-31-2006  
 CIVIL  
 STATE OF CALIFORNIA

January 24, 2005  
 PLANS APPROVAL DATE

The State of California or its officers or agents shall not be responsible for the accuracy or completeness of electronic copies of this plan sheet.

To get to the Caltrans web site, go to: <http://www.dot.ca.gov>

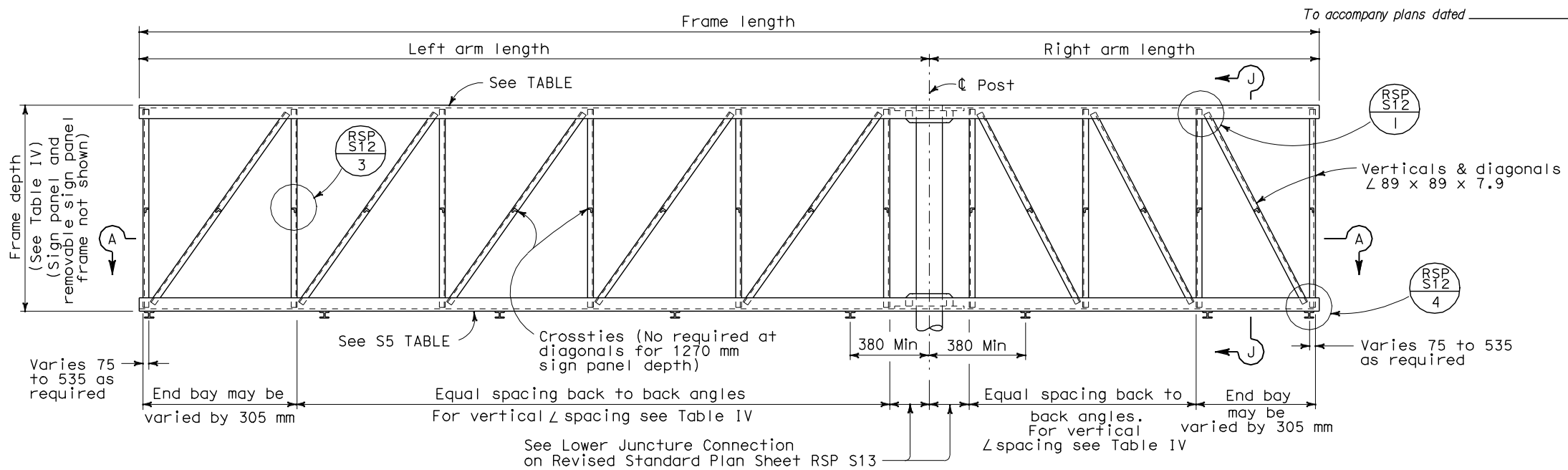


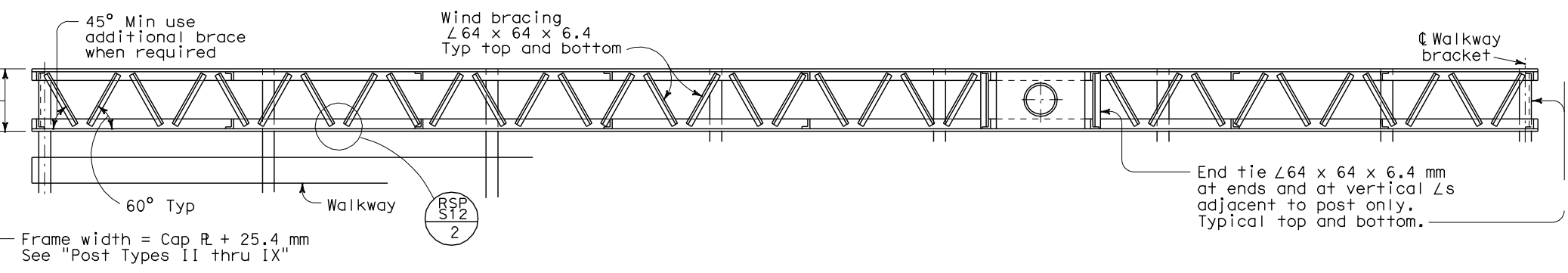
TABLE IV

Sign Panel Depth (mm)	Frame Depth (mm)	Maximum Vertical L Spacing (mm)	See Note 6 (mm)
1270	1423	1372	1220
1524	1675	1524	1220
1778	1931	1676	1220
2032	2185	1829	1525
2286	2439	2134	1525
2540	2693	2134	1830
2794	2693	2134	1830
3048	2693	2134	1830

Note:  
 Left arm may be shorter, longer or equal to right arm length

ELEVATION

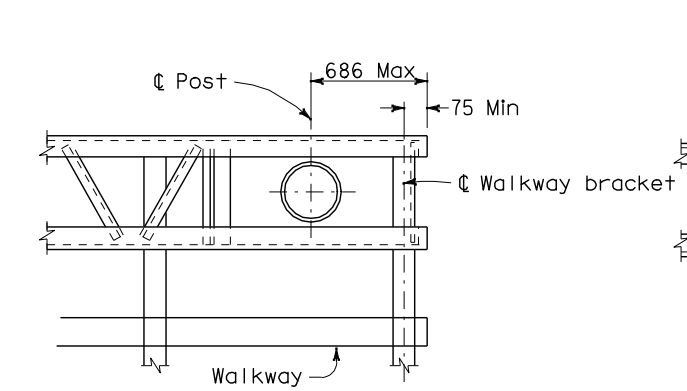
313



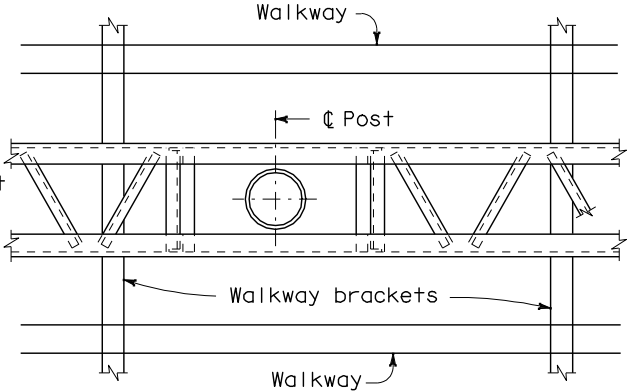
SECTION A-A

- Notes:
- For connection of frame to post see RSP S13.
  - For walkway see RSP S16 and RSP S17.
  - For walkway length see RSP S1.
  - Minimum length of frame = 3660 mm.
  - Maximum length of frame = 18 290 mm.
  - Diagonal not required if arm length is equal to or less than shown in this column see table IV.

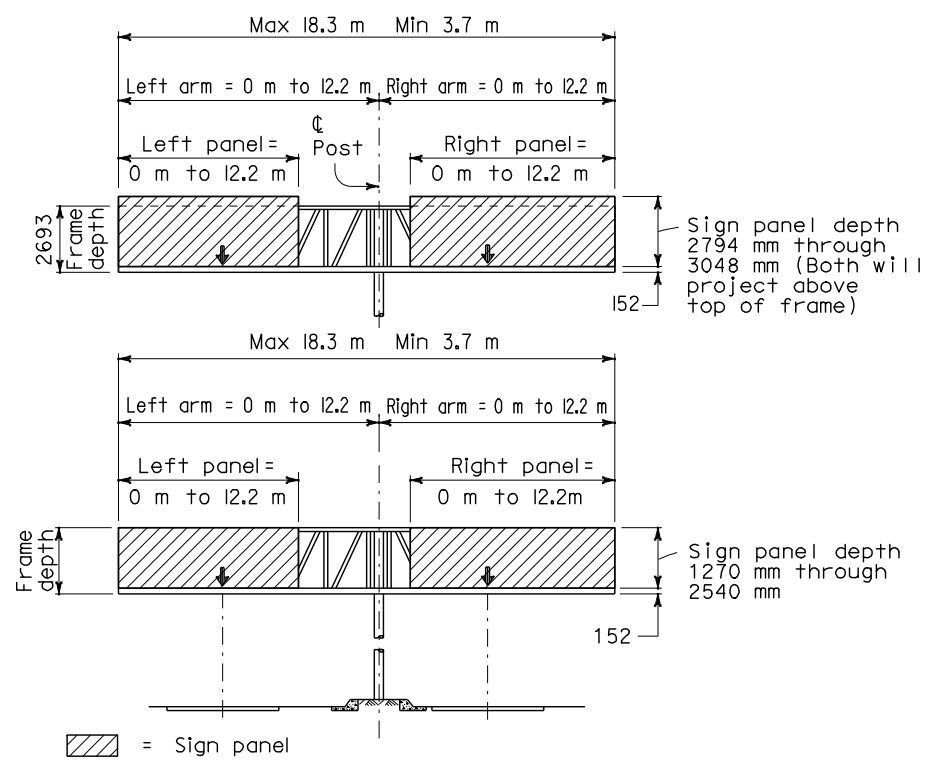
Standard Plan sheet number  
 Detail number



PART PLAN OF CANTILEVER TYPE AT POST



PART PLAN OF DOUBLE FACED TYPE AT POST



RANGE OF STRUCTURE SIZES

STATE OF CALIFORNIA  
 DEPARTMENT OF TRANSPORTATION  
**OVERHEAD SIGNS-TRUSS  
 SINGLE POST TYPE  
 STRUCTURAL FRAME MEMBERS  
 DETAILS No.1**  
 NO SCALE

ALL DIMENSIONS ARE IN MILLIMETERS UNLESS OTHERWISE SHOWN  
 RSP S4 DATED JANUARY 24, 2005 SUPERSEDES STANDARD PLAN S4 DATED JULY 1, 2004-PAGE 313 OF THE STANDARD PLANS BOOK DATED JULY 2004.

2004 REVISED Std PLAN RSP S4