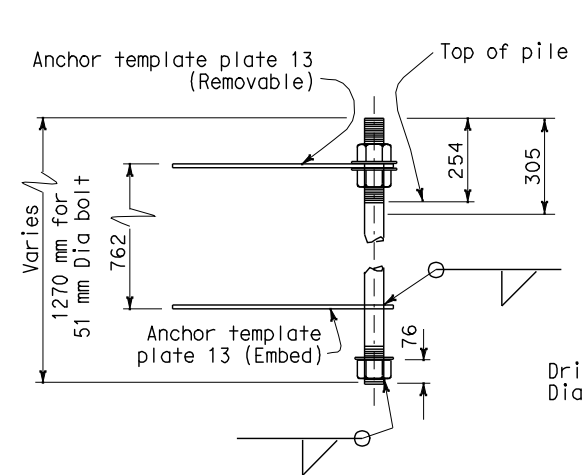


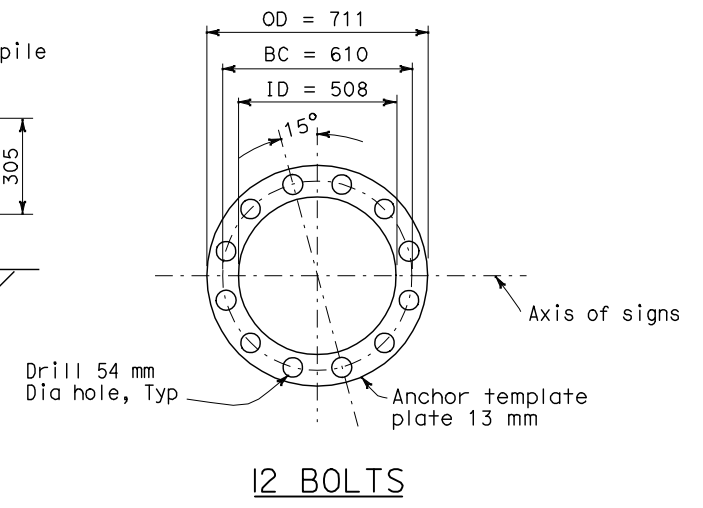
SINGLE POST TYPE BASE PLATE DETAILS

Post Type No.	Nominal Pipe Size (NPS)	Pipe Thickness (mm)	Base R OD & Thickness (mm)	Anchor		CIDH						
				Bolt Circle (mm)	Bolts Total & Dia (mm)	Pile Dia (mm)	Pile Depth (m)	Vertical Total	Reinforcing Bar Size	Bar Circle (mm)	Spiral Bar Size	Pitch (mm)
II	14	12.7	864 x 51	610	12-51	1372	4.5	26	32	1143	16	89
III	16	12.7	864 x 51	610	12-51	1372	4.9	26	32	1143	16	89
IV	18	12.7	864 x 51	610	12-51	1372	5.5	26	32	1143	16	89
V	20	12.7	1016 x 64	864	14-51	1372	5.8	26	32	1143	16	89
VI	24	12.7	1016 x 64	864	16-64	1524	6.7	28	36	1295	16	89
VII	24	19.0	1016 x 64	864	16-64	1524	7.0	28	36	1295	16	89
VIII	24	24.6	1016 x 89	864	16-64	1524	7.6	28	36	1295	16	89
IX	24	24.6	1016 x 89	864	16-64	1524	7.6	28	36	1295	16	89

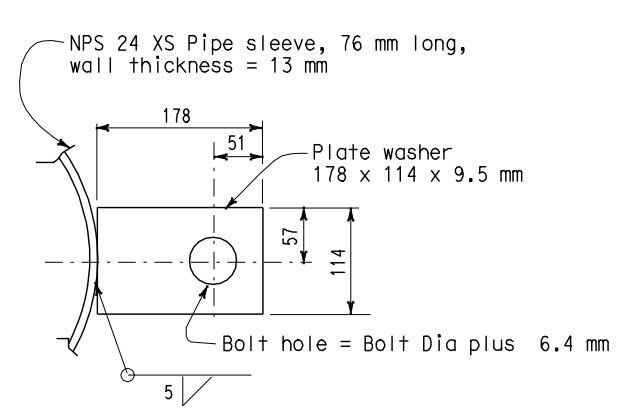
SINGLE POST TABLE



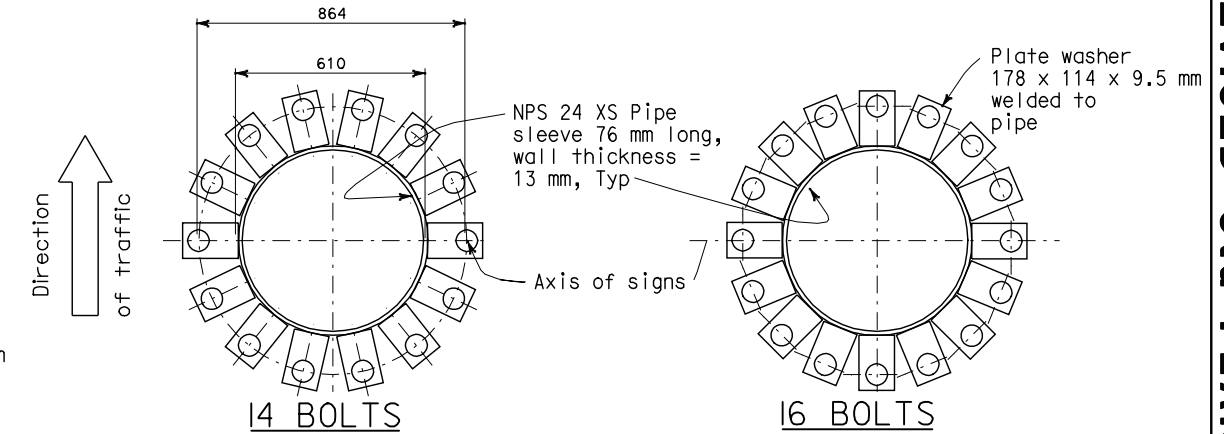
**FOR POST II THRU IV
12 BOLTS PATTERN**



12 BOLTS

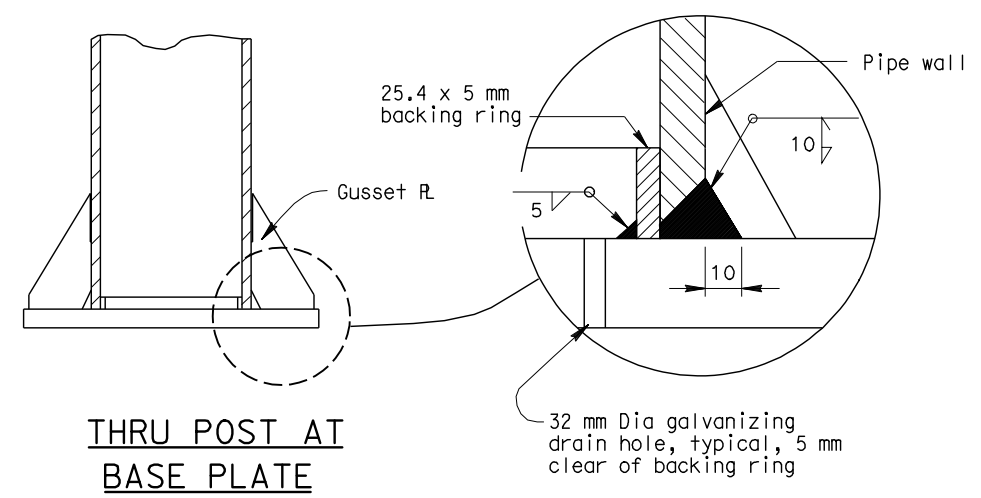


**PLATE WASHER FOR
14 & 16 BOLT PATTERN**

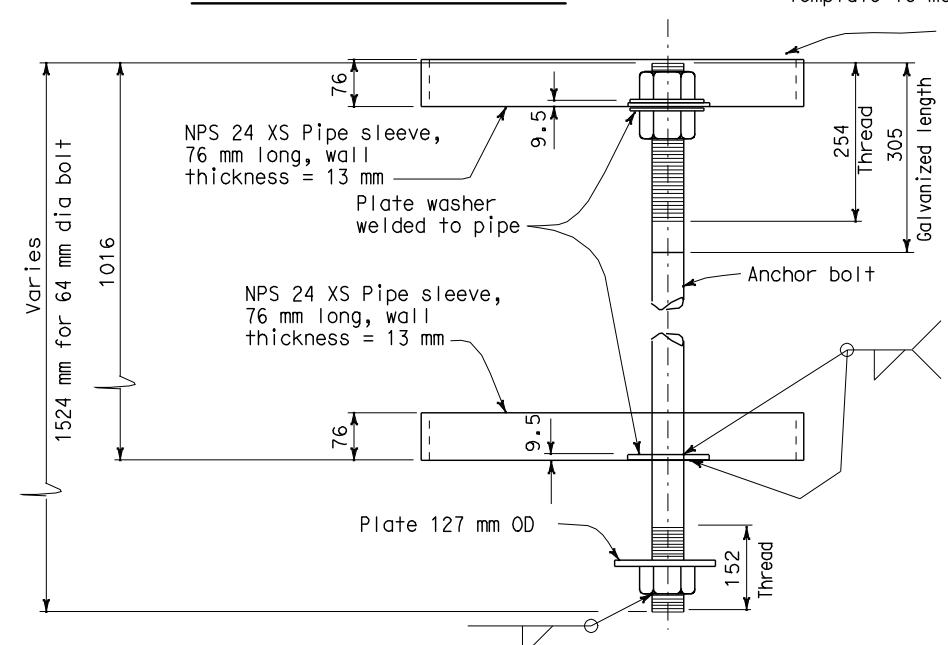


ANCHOR BOLT TEMPLATE

(Option: Permanent template similar to ring plate type can be used in lieu of plate washer type).



**THRU POST AT
BASE PLATE**



ANCHOR BOLT TEMPLATE ASSEMBLY DETAIL

Note: One bolt shown only. Other bolts not shown.

STATE OF CALIFORNIA
 DEPARTMENT OF TRANSPORTATION
**OVERHEAD SIGNS-TRUSS
 SINGLE POST TYPE
 BASE PLATE AND
 ANCHORAGE DETAILS**
 NO SCALE
 ALL DIMENSIONS ARE IN
 MILLIMETERS UNLESS OTHERWISE SHOWN

RSP S3 DATED JANUARY 24, 2005 SUPERSEDES STANDARD PLAN S3
 DATED JULY 1, 2004-PAGE 312 OF THE STANDARD PLANS BOOK DATED JULY 2004.
REVISED STANDARD PLAN RSP S3

312

2004 REVISED STD PLAN RSP S3