



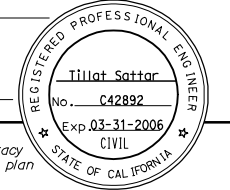
DIST	COUNTY	ROUTE	KILOMETER POST TOTAL PROJECT	SHEET NO.	TOTAL SHEETS

REGISTERED CIVIL ENGINEER

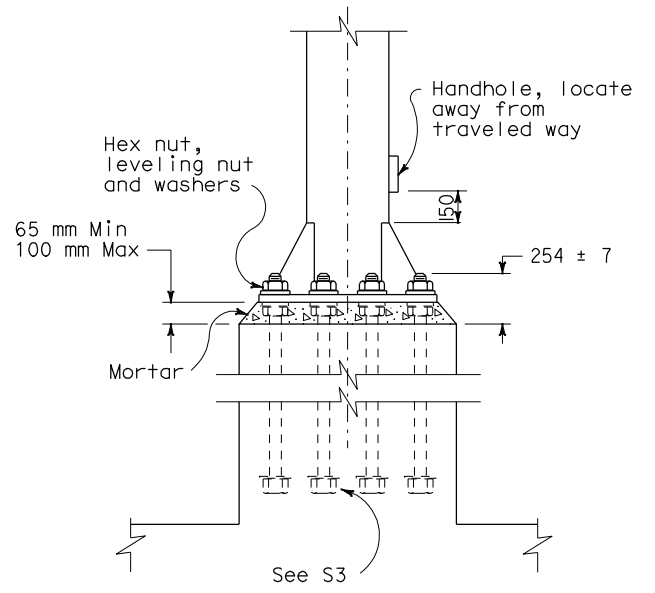
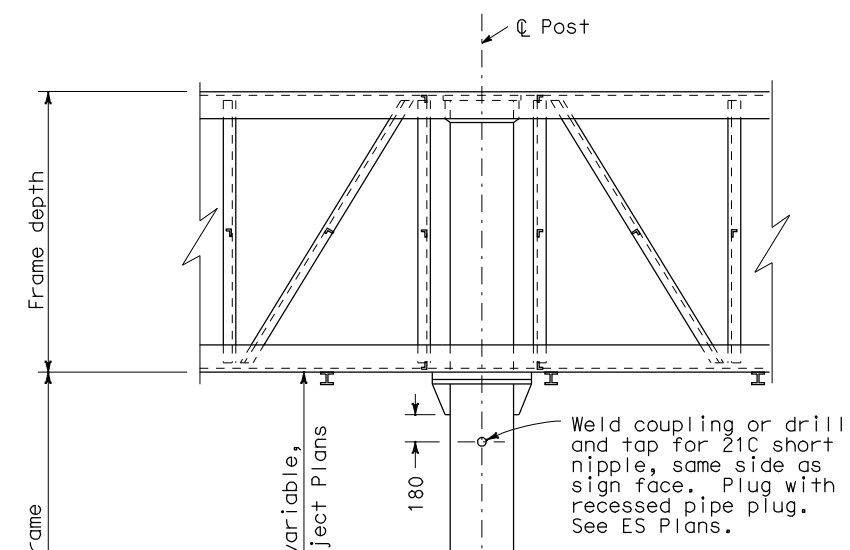
April 28, 2005
PLANS APPROVAL DATE

The State of California or its officers or agents shall not be responsible for the accuracy or completeness of electronic copies of this plan sheet.

To get to the Caltrans web site, go to: <http://www.dot.ca.gov>



To accompany plans dated _____



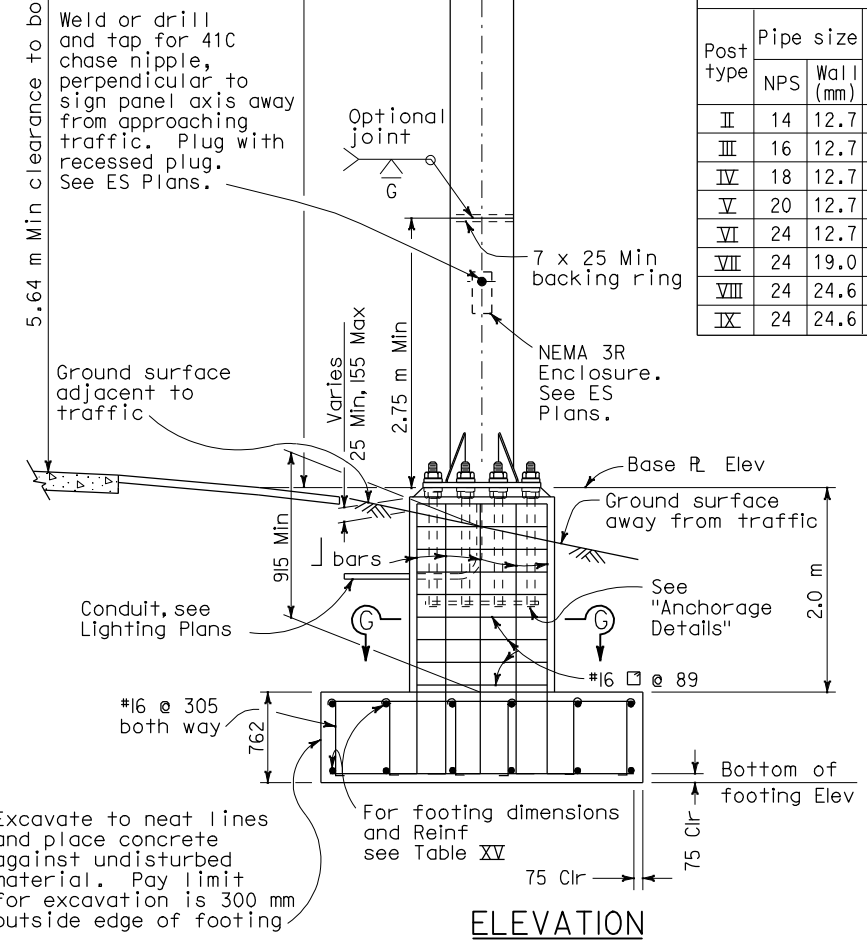
ANCHORAGE DETAILS

TABLE XV

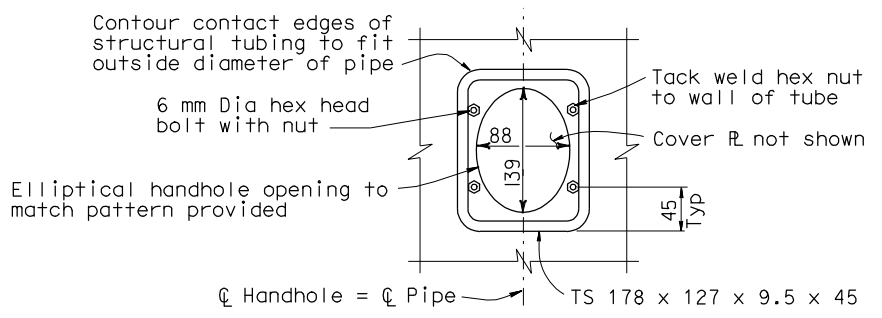
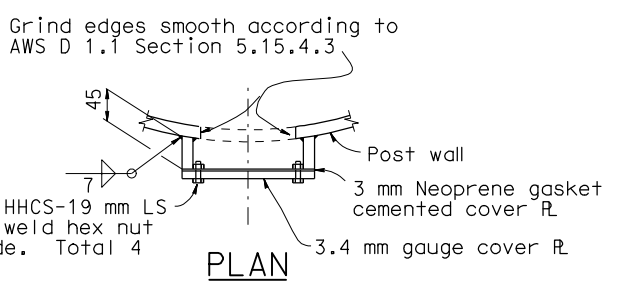
Post type	Pipe size		Cap Plate for L 127x127 (mm)	Cap Plate for L 152x152 (mm)	Round Pedestal					Square Pedestal				Pile footing		Alternate								
	NPS	Wall (mm)			Pedestal Size Dia (mm)	Vertical J-Bars		Spiral		Pedestal Size Square (mm)	Vertical J-Bars		Hoop		Dia (mm)	Depth (m)	Spread Footing See note 2 (mm)	Spread Footing Reinforcement						
			Equally spaced total	Bar Size		Bar B.C. (mm)	Bar Size	Pitch (mm)	Equally spaced total		Bar Size	Spacing ea face (mm)	Bar Size	Spacing (mm)				Width Top	Width Bottom	Longitudinal Top	Longitudinal Bottom	Footing Stirrups		
II	14	12.7	610 x 610 x 25	660 x 660 x 25	1600	16	32	1372	16	89	1600	16	32	346	16	89	1372	4.5	3658 x 4267 x 762	14-#19	14-#22	13-#29	13-#29	#16 @ 305
III	16	12.7	660 x 660 x 25	711 x 711 x 25	1600	16	32	1372	16	89	1600	16	32	346	16	89	1372	4.9	3658 x 4267 x 762	15-#19	15-#22	13-#29	13-#29	#16 @ 305
IV	18	12.7	711 x 711 x 25	762 x 762 x 25	1600	16	32	1372	16	89	1600	16	32	346	16	89	1372	5.5	3658 x 4267 x 762	15-#19	15-#22	13-#29	13-#29	#16 @ 305
V	20	12.7	762 x 762 x 25	813 x 813 x 25	1600	16	32	1372	16	89	1600	16	32	346	16	89	1372	5.8	3962 x 4267 x 762	15-#19	15-#22	14-#29	14-#29	#16 @ 305
VI	24	12.7	864 x 864 x 25	914 x 914 x 25	1753	16	36	1534	16	89	1753	16	36	381	16	89	1524	6.7	3962 x 4877 x 762	17-#22	17-#22	14-#29	14-#36	#16 @ 305
VII	24	19.0	864 x 864 x 25	914 x 914 x 25	1753	16	36	1534	16	89	1753	16	36	381	16	89	1524	7.0	3962 x 5182 x 762	18-#22	18-#22	14-#29	14-#36	#16 @ 305
VIII	24	24.6	864 x 864 x 25	914 x 914 x 25	1753	16	36	1534	16	89	1753	16	36	381	16	89	1524	7.6	3962 x 5486 x 762	19-#22	19-#22	14-#29	14-#36	#16 @ 305
IX	24	24.6	864 x 864 x 25	914 x 914 x 25	1753	16	36	1534	16	89	1753	16	36	381	16	89	1524	7.6	3962 x 5486 x 762	19-#22	19-#22	14-#29	14-#36	#16 @ 305

Notes:

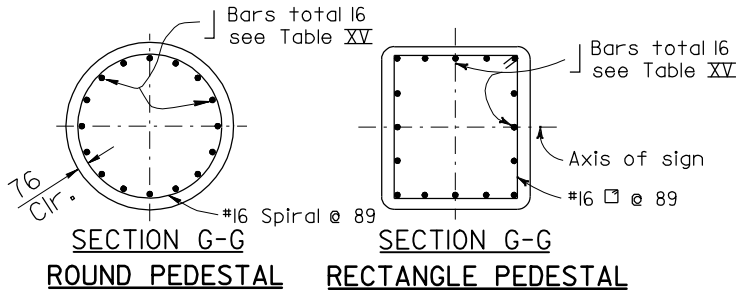
- For "General Notes" see Revised Standard Plan RSP S1.
- Longer side of footing shall be normal to axis of sign.
- Backfill shall be in place prior to erection of post.
- Thread upper 254 mm of anchor bolts and galvanize upper 305 mm.
- Spread footing shown, use Pile Foundation when shown on the Project Plans.
- Anchor plates may be retained with hexagon nut or formed head as alternatives to details shown.
- On single post sign structures, the post shall be raked out of plumb, with the use of the leveling nuts to make the bottom of the sign frame level.
- At final position of post all top and bottom nuts shall be tightened against base plate.
- When foundation is located on a steep slope with exposed face of concrete adjacent to traffic, see "Detail C" on Revised Standard Plan RSP S7 or RSP S8, as applicable.
- Slope protection required when indicated on the Project Plans.



ELEVATION



ELEVATION
TYPICAL DETAILS OF HANDHOLE AND COVER



STATE OF CALIFORNIA
DEPARTMENT OF TRANSPORTATION

**OVERHEAD SIGNS-TRUSS
SINGLE POST TYPE
POST TYPES II THROUGH IX**

NO SCALE

ALL DIMENSIONS ARE IN MILLIMETERS UNLESS OTHERWISE SHOWN

RSP S2 DATED APRIL 28, 2005 SUPERSEDES RSP S2 DATED JANUARY 24, 2005 AND STANDARD PLAN S2 DATED JULY 1, 2004-PAGE 311 OF THE STANDARD PLANS BOOK DATED JULY 2004.

REVISED STANDARD PLAN RSP S2