



DIST	COUNTY	ROUTE	KILOMETER TOTAL PROJECT	POST TOTAL PROJECT	SHEET NO.	TOTAL SHEETS

REGISTERED ELECTRICAL ENGINEER  
*Jeffrey G. McRae*  
 REGISTERED ELECTRICAL ENGINEER  
 No. E14512  
 Exp. 6-30-08  
 ELECTRICAL  
 STATE OF CALIFORNIA

October 5, 2007  
 PLANS APPROVAL DATE

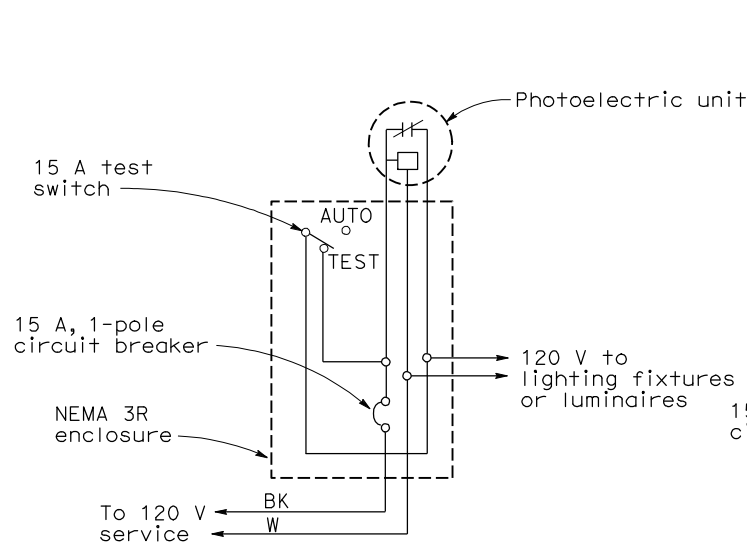
The State of California or its officers or agents shall not be responsible for the accuracy or completeness of electronic copies of this plan sheet.

To get to the Caltrans web site, go to: <http://www.dot.ca.gov>

**NOTES: (FOR LIGHTING AND SIGN ILLUMINATION CONTROL)**

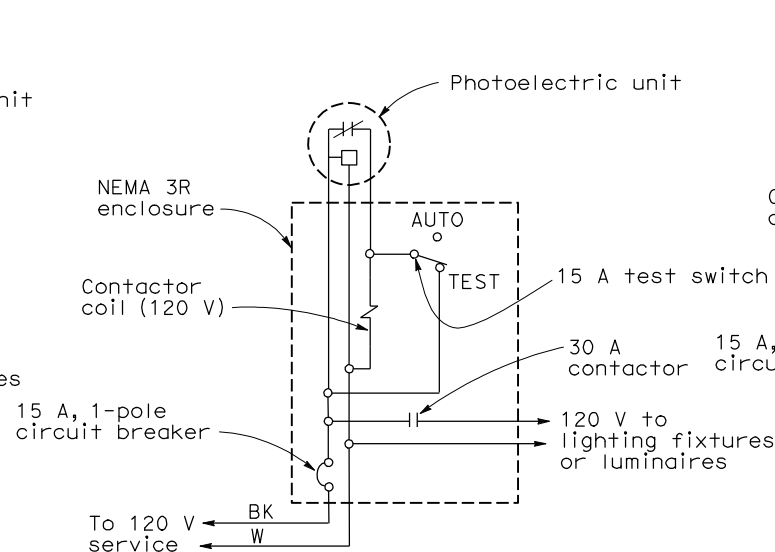
1. The ballast voltages of lighting fixtures and luminaires shall match line service voltages.
2. Voltage rating of photoelectric controls shall conform to the service voltage indicated on the plans.
3. Terminal strip shall be provided for wiring to fixtures.
4. Type SC1A, SC2A, SC3A controls are similar to Types SC1, SC2, SC3 controls respectively except test switch and wiring are not required.

To accompany plans dated \_\_\_\_\_



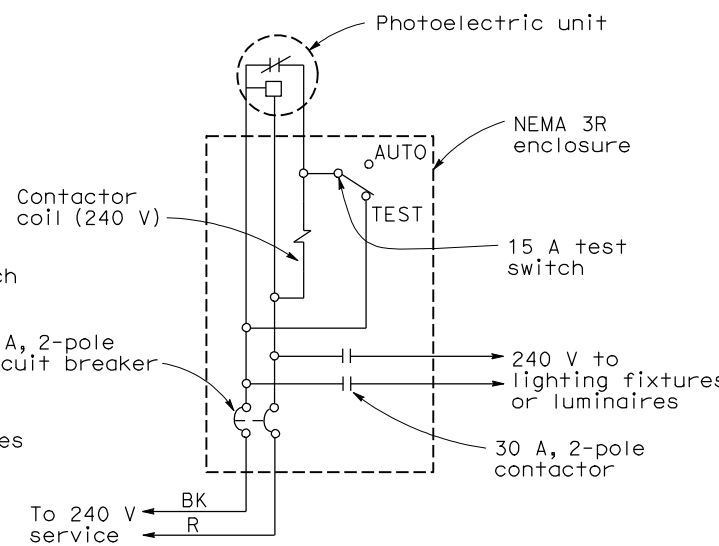
**TYPE LC1 CONTROL**

For 120 V unswitched circuit with no more than 800 W load.



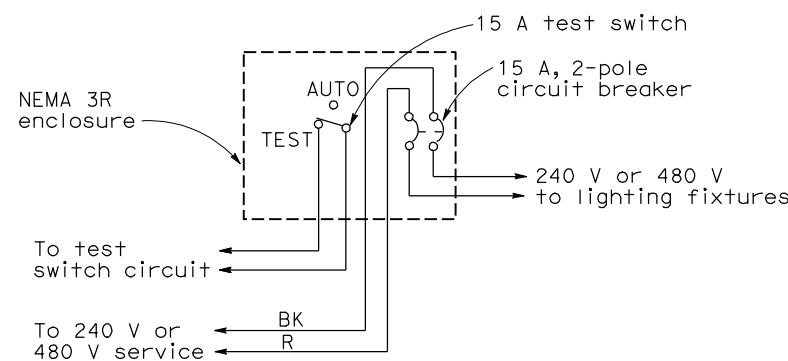
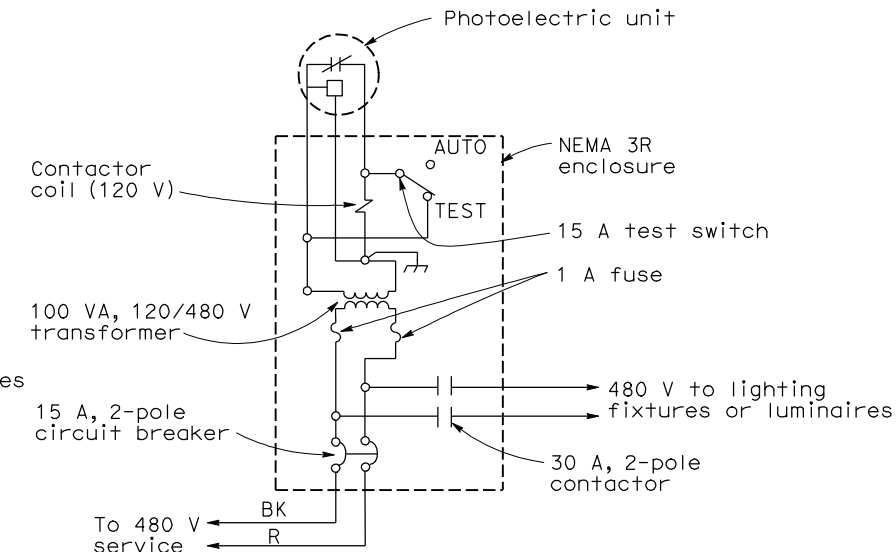
**TYPE LC2 CONTROL**

For 120 V unswitched circuit



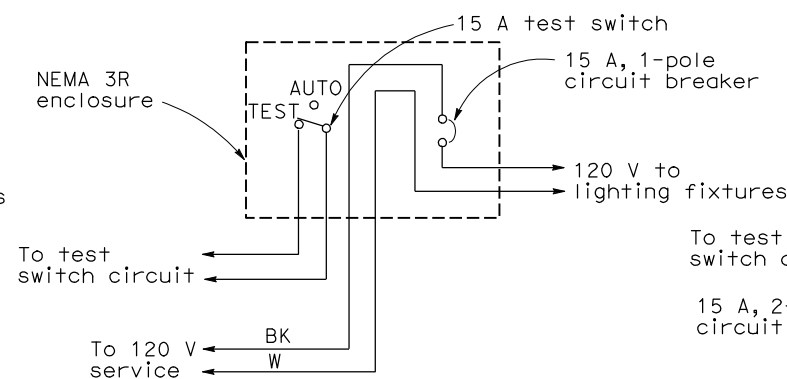
**TYPE LC3 CONTROL**

For 240 V and 480 V unswitched circuit



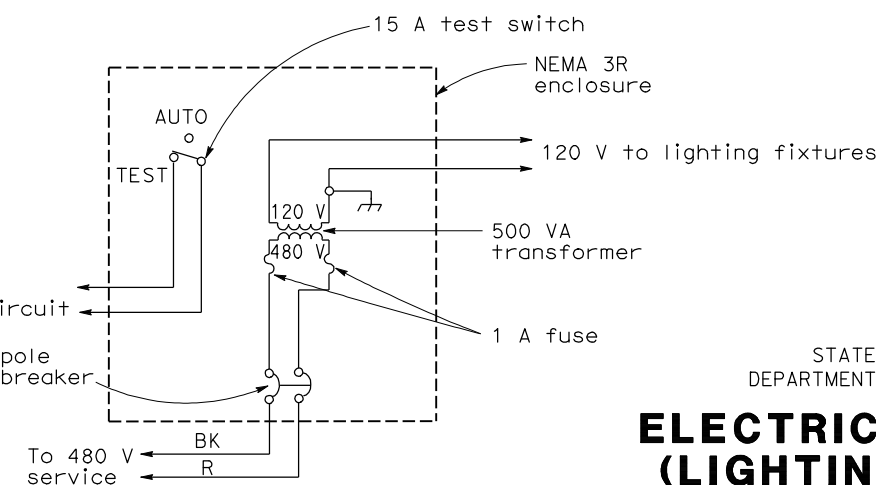
**TYPE SC1 CONTROL**

For 240 V or 480 V switched circuit, see Note 4 for Type SC1A



**TYPE SC2 CONTROL**

For 120 V switched circuit, see Note 4 for Type SC2A



**TYPE SC3 CONTROL**

For 480 V switched sign circuit, see Note 4 for Type SC3A

**ELECTRICAL SYSTEMS (LIGHTING AND SIGN ILLUMINATION CONTROL)**

NO SCALE  
ALL DIMENSIONS ARE IN MILLIMETERS UNLESS OTHERWISE SHOWN

RSP ES-15D DATED OCTOBER 5, 2007 SUPERSEDES RSP ES-15D DATED APRIL 28, 2005 AND STANDARD PLAN ES-15D DATED JULY 1, 2004-PAGE 486 OF THE STANDARD PLANS BOOK DATED JULY 2004.

**REVISED STANDARD PLAN RSP ES-15D**

2004 REVISED STD PLAN RSP ES-15D

486