



DIST	COUNTY	ROUTE	KILOMETER TOTAL PROJECT	POST NO.	SHEET NO.	TOTAL SHEETS

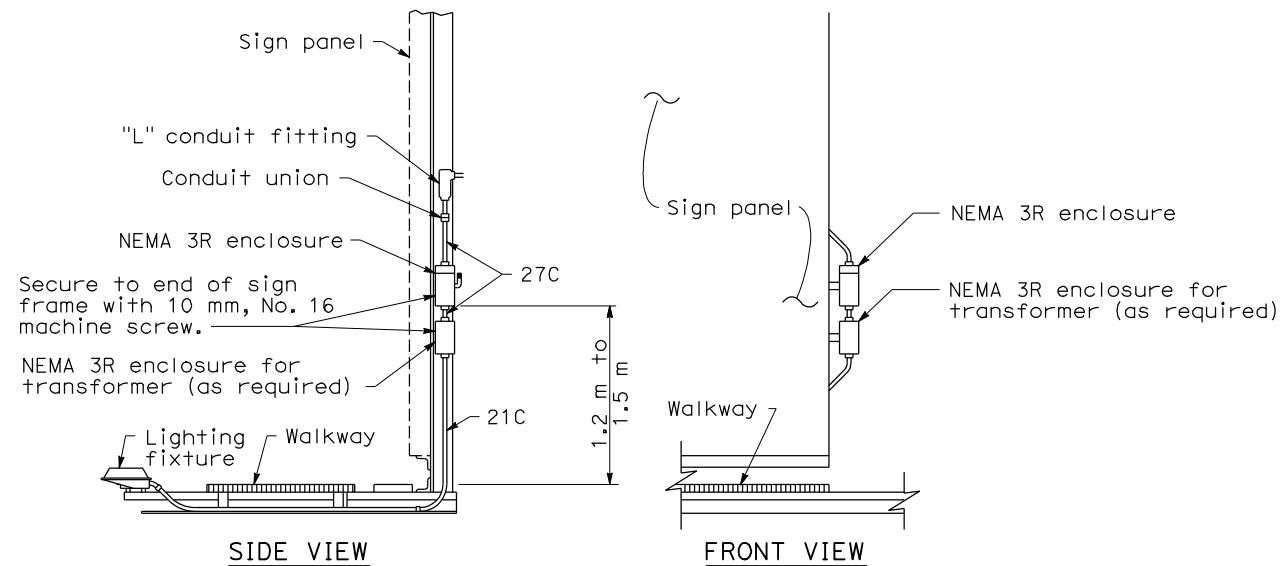
REGISTERED ELECTRICAL ENGINEER  
*Jeffery G. McRae*  
 REGISTERED ELECTRICAL ENGINEER  
 No. E14512  
 Exp. 6-30-08  
 ELECTRICAL  
 STATE OF CALIFORNIA

October 5, 2007  
 PLANS APPROVAL DATE

The State of California or its officers or agents shall not be responsible for the accuracy or completeness of electronic copies of this plan sheet.

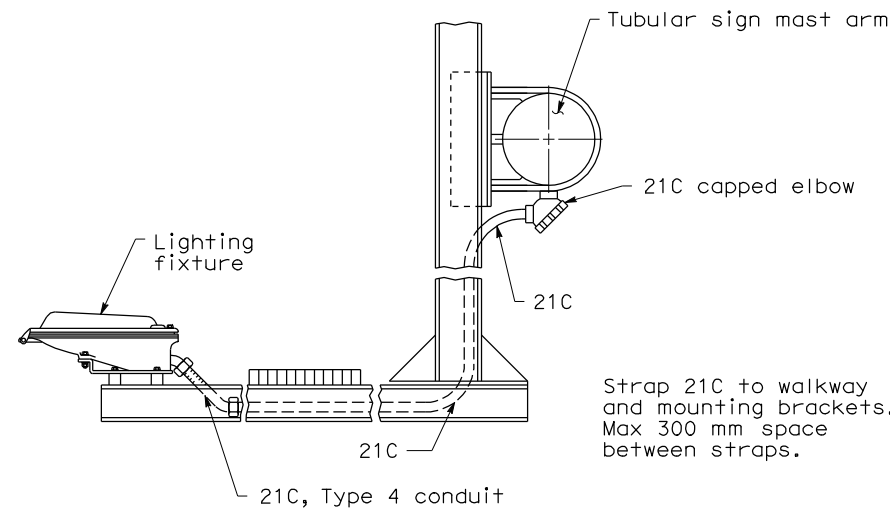
To get to the Caltrans web site, go to: <http://www.dot.ca.gov>

To accompany plans dated \_\_\_\_\_



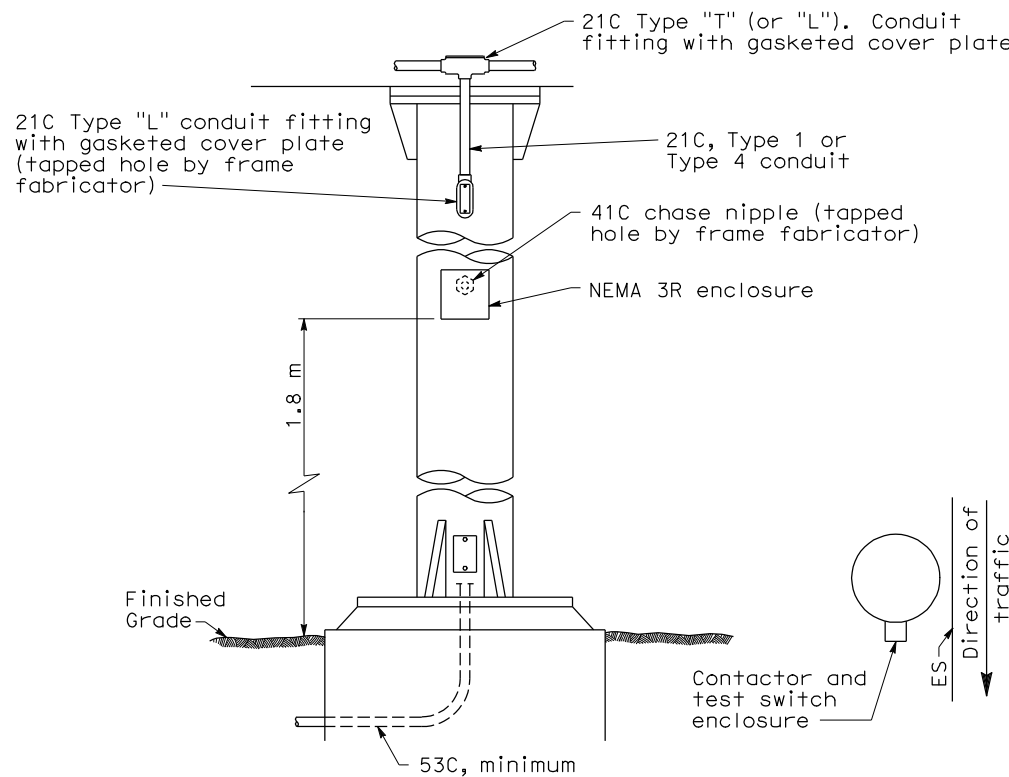
**TYPICAL SIGN ILLUMINATION EQUIPMENT  
INSTALLATION FOR OVERHEAD SIGNS  
BRIDGE MOUNTED**

Contactor and test switch enclosure shall be readily accessible from the sign walkway.



**TYPICAL SIGN ILLUMINATION EQUIPMENT  
INSTALLATION FOR OVERHEAD SIGNS  
TUBULAR**

Strap 21C to walkway and mounting brackets. Max 300 mm space between straps.



**TYPICAL SIGN ILLUMINATION EQUIPMENT  
INSTALLATION FOR OVERHEAD SIGNS  
ROUND POST**

**NOTES:**

1. Type 4 conduit shall be secured to the nearest walkway bracket using one-hole galvanized malleable iron or steel straps and brass machine screws tapped into the bracket.
2. See Overhead Signs Standard Plans for overhead signs and frame jecture details for photoelectric unit installation.
3. Enclosures and straps shall be secured by 6 mm maximum size screws.

STATE OF CALIFORNIA  
DEPARTMENT OF TRANSPORTATION  
**ELECTRICAL SYSTEMS  
(SIGN ILLUMINATION EQUIPMENT)**

NO SCALE  
ALL DIMENSIONS ARE IN  
MILLIMETERS UNLESS OTHERWISE SHOWN

RSP ES-15C DATED OCTOBER 5, 2007 SUPERSEDES STANDARD PLAN ES-15C  
DATED JULY 1, 2004-PAGE 485 OF THE STANDARD PLANS BOOK DATED JULY 2004.

**REVISED STANDARD PLAN RSP ES-15C**

2004 REVISED STD PLAN RSP ES-15C