



DIST	COUNTY	ROUTE	KILOMETER TOTAL PROJECT	POST TOTAL PROJECT	SHEET NO.	TOTAL SHEETS

REGISTERED CIVIL ENGINEER  
 October 5, 2007  
 PLANS APPROVAL DATE  
The State of California or its officers or agents shall not be responsible for the accuracy or completeness of electronic copies of this plan sheet.  
 To get to the Caltrans web site, go to: <http://www.dot.ca.gov>

REGISTERED PROFESSIONAL ENGINEER

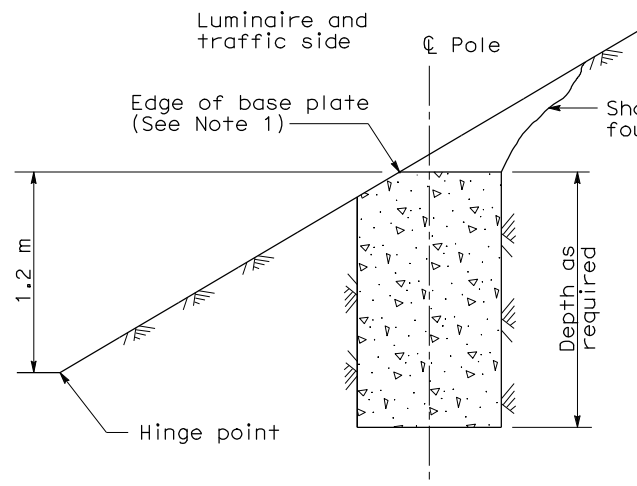
Stanley P. Johnson

No. C57793

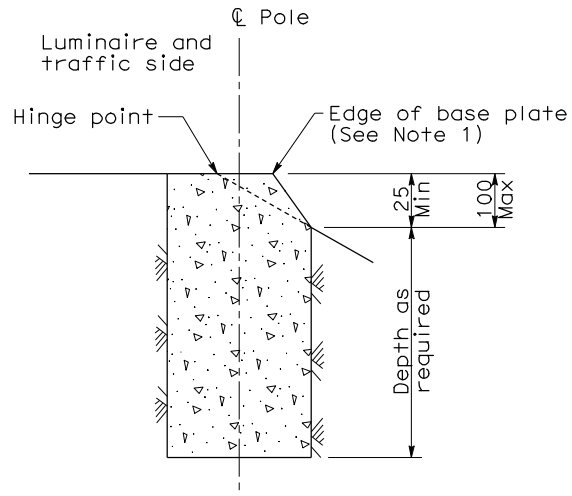
Exp. 03-31-08

CIVIL

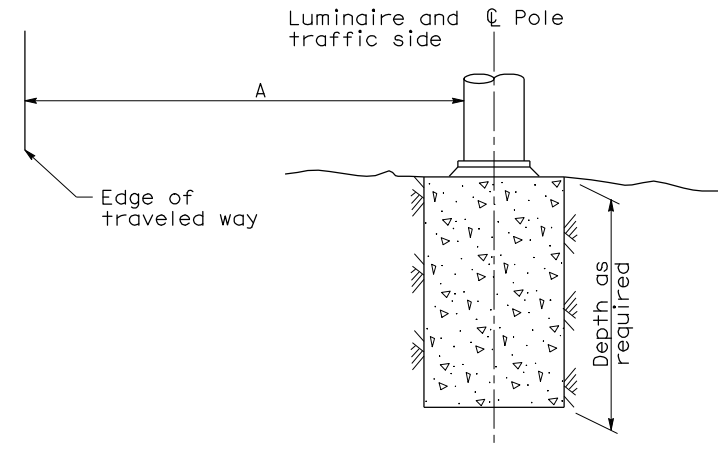
STATE OF CALIFORNIA



**CUT SLOPES  
STEEPER THAN 1:4**  
See Note 2



**FILL SLOPES  
STEEPER THAN 1:4**  
See Note 2



**FLAT SECTIONS, CUT OR FILL SLOPES  
1:4 OR FLATTER**

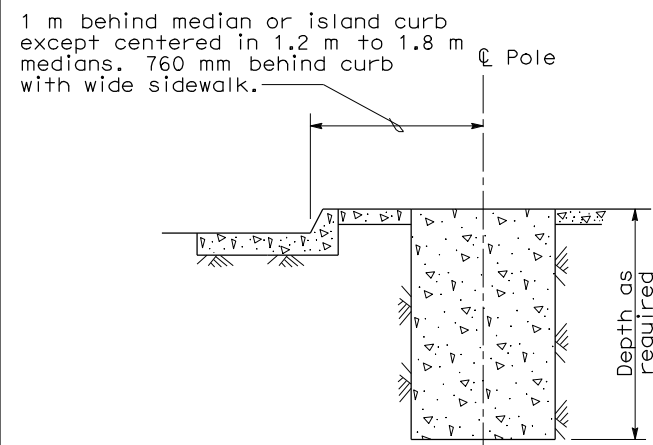
To accompany plans dated \_\_\_\_\_

STANDARD TYPE	SETBACK (DIMENSION A)
32	9 m Min
31, 36-20A	6 m Min
15, 15D, 15-SB, 21, 21D, 30	Mast Arm Length (Min)

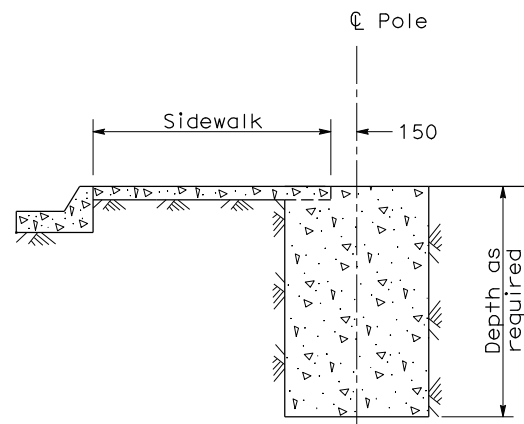
**FOUNDATIONS ADJACENT TO ALL ROADWAYS EXCEPT  
IN SIDEWALK, MEDIAN AND ISLAND AREAS**

**NOTES:**

- Where a portion of the foundation is above grade, the top edges shall have a 25 mm chamfer.
- Horizontal setbacks on cut and fill slopes steeper than 1:4 shall not exceed the distance shown for flat sections.



**MEDIAN, ISLAND  
OR WIDE SIDEWALK  
(2 m wide and wider)**



**NARROW SIDEWALK  
(Less than 2 m wide)**

**FOUNDATIONS IN SIDEWALK, MEDIAN AND ISLAND AREAS**

STATE OF CALIFORNIA  
DEPARTMENT OF TRANSPORTATION  
**ELECTRICAL SYSTEMS  
(FOUNDATION INSTALLATIONS)**

NO SCALE  
ALL DIMENSIONS ARE IN  
MILLIMETERS UNLESS OTHERWISE SHOWN

RSP ES-11 DATED OCTOBER 5, 2007 SUPERSEDES STANDARD PLAN ES-11  
DATED JULY 1, 2004-PAGE 475 OF THE STANDARD PLANS BOOK DATED JULY 2004.

**REVISED STANDARD PLAN RSP ES-11**

2004 REVISED Std PLAN RSP ES-11