



DIST	COUNTY	ROUTE	KILOMETER POST TOTAL PROJECT	SHEET NO.	TOTAL SHEETS

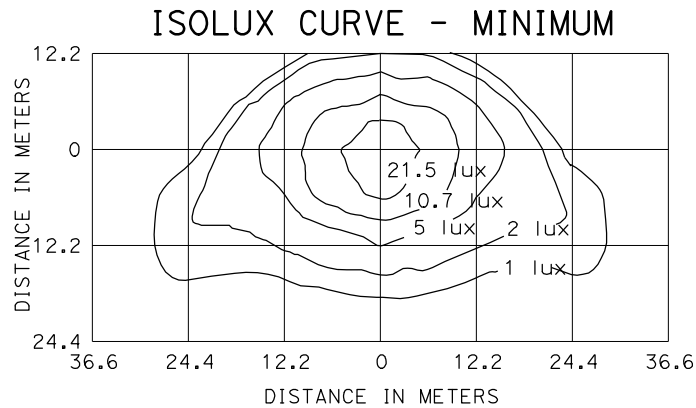
REGISTERED ELECTRICAL ENGINEER
Jeffrey G. McRae
 No. E14512
 Exp. 6-30-08
 ELECTRICAL
 STATE OF CALIFORNIA

October 5, 2007
 PLANS APPROVAL DATE

The State of California or its officers or agents shall not be responsible for the accuracy or completeness of electronic copies of this plan sheet.

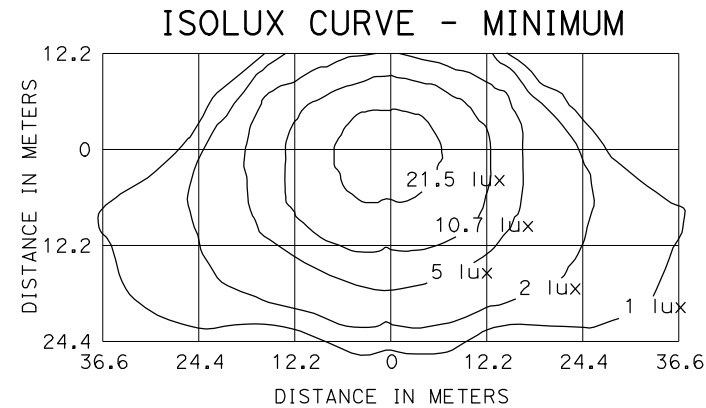
To get to the Caltrans web site, go to: <http://www.dot.ca.gov>

To accompany plans dated _____



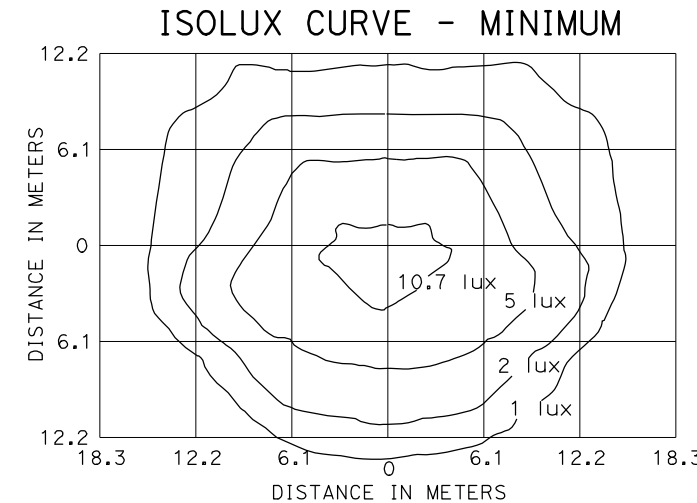
TYPE III MEDIUM CUTOFF

Cutoff Luminaire
 10.4 m Mounting Height
 LAMP OPERATED AT 22 000 lm
 200 W HIGH PRESSURE SODIUM LAMP
 ANSI DESIGNATION S66



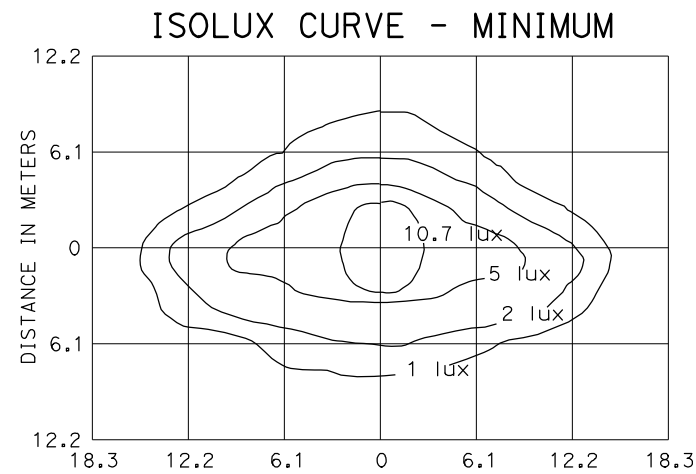
TYPE III MEDIUM CUTOFF

Cutoff Luminaire
 12.2 m Mounting Height
 LAMP OPERATED AT 37 000 lm
 310 W HIGH PRESSURE SODIUM LAMP
 ANSI DESIGNATION S67



FLUSH SOFFIT LUMINAIRE

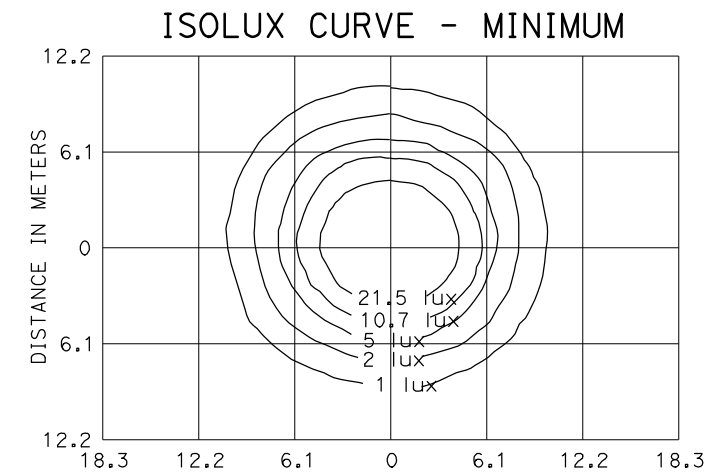
5.2 m Mounting Height
 LAMP OPERATED AT 5800 lm
 70 W HIGH PRESSURE SODIUM LAMP
 ANSI DESIGNATION S62



PENDANT SOFFIT LUMINAIRE

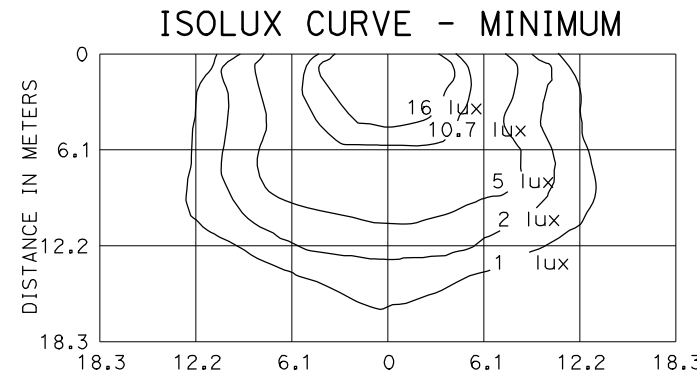
TYPE III SHORT

5.2 m Mounting Height
 LAMP OPERATED AT 5800 lm
 70 W HIGH PRESSURE SODIUM LAMP
 ANSI DESIGNATION S62



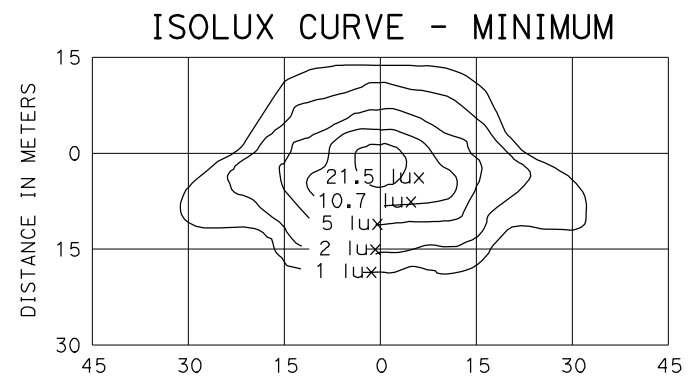
PENDANT SOFFIT LUMINAIRE

5.2 m Mounting Height
 LAMP OPERATED AT 5800 lm
 70 W HIGH PRESSURE SODIUM LAMP
 ANSI DESIGNATION S62



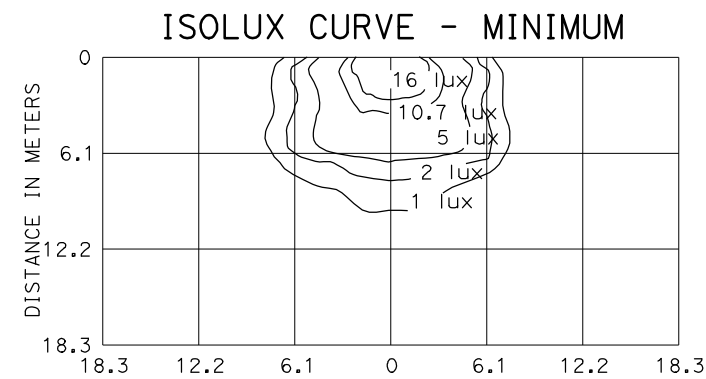
DETAIL "W" WALL LUMINAIRE

4.6 m Mounting Height
 LAMP OPERATED AT 9500 lm
 100 W HIGH PRESSURE SODIUM LAMP
 ANSI DESIGNATION S54



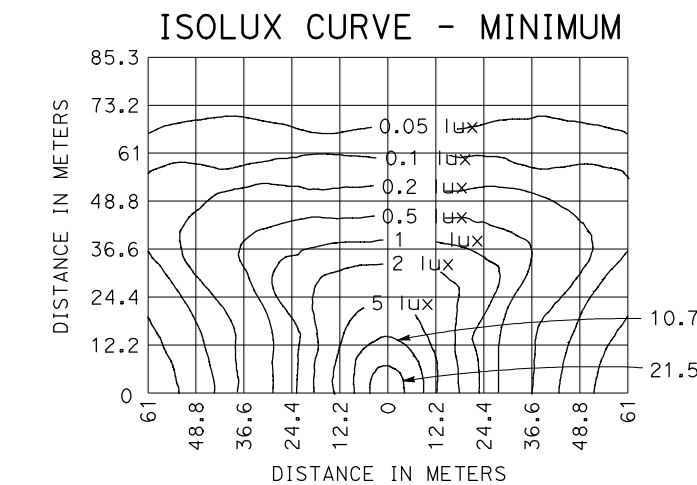
TYPE III MEDIUM CUTOFF

Cutoff Luminaire
 9.1 m Mounting Height
 LAMP OPERATED AT 16 000 lm
 150 W HIGH PRESSURE SODIUM LAMP
 ANSI DESIGNATION S55



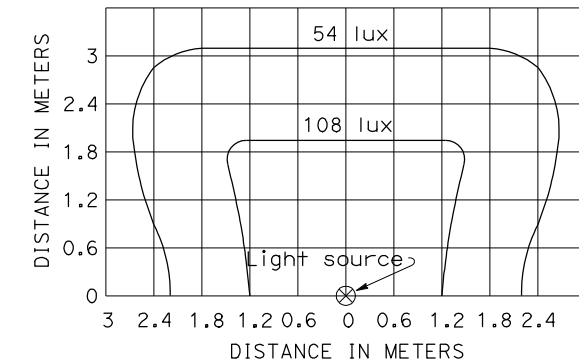
WALL LUMINAIRE

4.6 m Mounting Height
 LAMP OPERATED AT 5800 lm
 70 W HIGH PRESSURE SODIUM LAMP
 ANSI DESIGNATION S62



LOW PRESSURE SODIUM LUMINAIRE

12.2 m Mounting Height
 LAMP OPERATED AT 33 000 lm
 180 W LOW PRESSURE SODIUM LAMP



SIGN LIGHTING FIXTURE ISOLUX DIAGRAM

1. Curves represent the minimum lux of initial illumination on a 3 m x 6 m panel.
2. The lux shown are with the fixture attached to the light fixture mounting channel which places the center of the source 1420 mm in front of panel and 300 mm below the bottom edge.
3. Applicable lamp: 85-W fluorescent phosphor coated induction lamp.

NOTE

Isolux diagrams show the minimum horizontal lux required.

STATE OF CALIFORNIA
 DEPARTMENT OF TRANSPORTATION

**ELECTRICAL SYSTEMS
 (ISOLUX DIAGRAMS)**

NO SCALE

ALL DIMENSIONS ARE IN
 MILLIMETERS UNLESS OTHERWISE SHOWN

RSP ES-10 DATED OCTOBER 5, 2007 SUPERSEDES STANDARD PLAN ES-10
 DATED JULY 1, 2004-PAGE 474 OF THE STANDARD PLANS BOOK DATED JULY 2004.

REVISED STANDARD PLAN RSP ES-10

2004 REVISED STD PLAN RSP ES-10