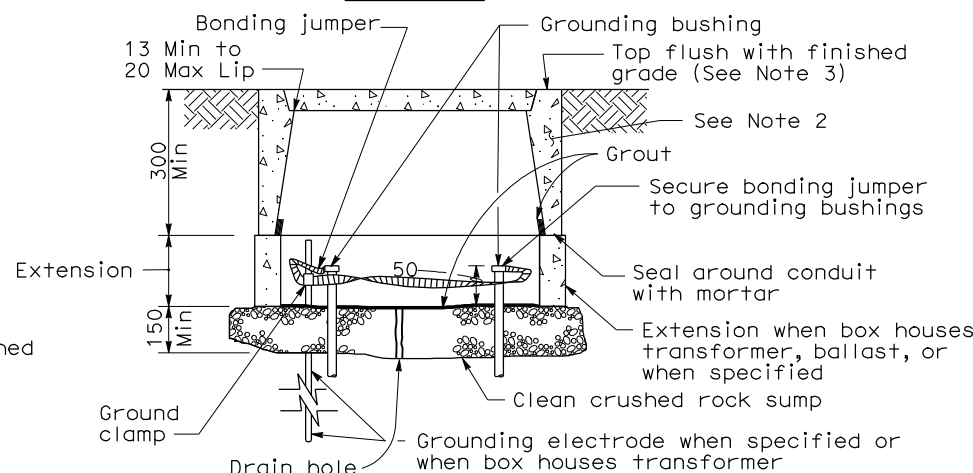
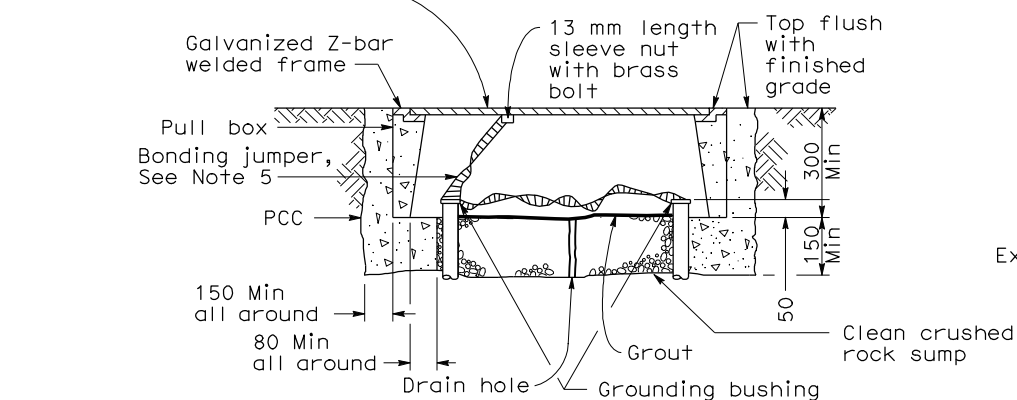
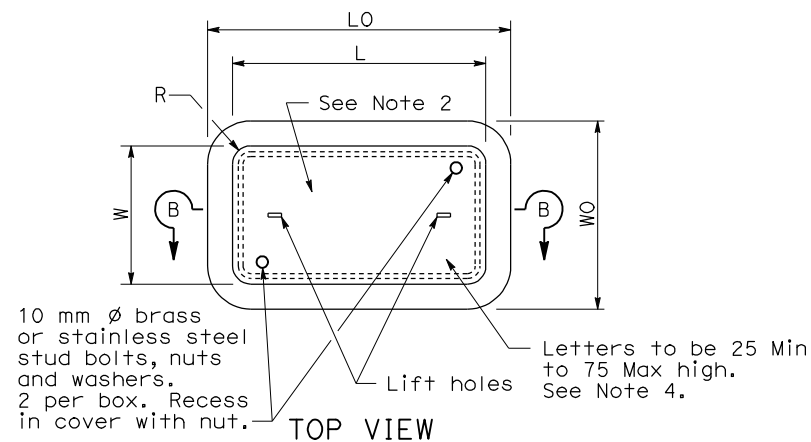
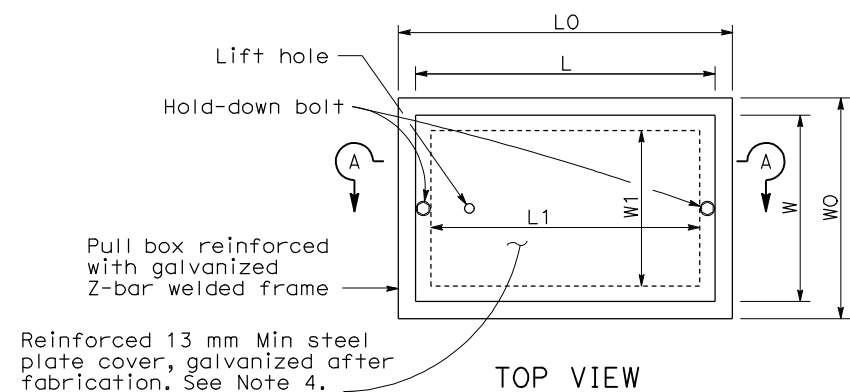




DIST	COUNTY	ROUTE	KILOMETER TOTAL PROJECT	POST TOTAL PROJECT	SHEET NO.	TOTAL SHEETS
REGISTERED ELECTRICAL ENGINEER Jeffrey G. McRae October 5, 2007 PLANS APPROVAL DATE						
<small>The State of California or its officers or agents shall not be responsible for the accuracy or completeness of electronic copies of this plan sheet.</small>						
To get to the Caltrans web site, go to: http://www.dot.ca.gov						



SECTION A-A
No. 3 1/2(T), No. 5(T) AND
No. 6(T) TRAFFIC PULL BOX

SECTION B-B
INSTALLATION DETAILS

DIMENSION TABLE

PULL BOX	CONCRETE BOX				NON-PCC BOX		CONCRETE OR NON-PCC COVERS				
	Minimum * Thickness	Minimum Depth Box and Extension	L0 (mm)	W0 (mm)	Minimum ** Thickness	Minimum Depth Box and Extension	L ** (mm)	W ** (mm)	R (mm)	Edge Thickness	Edge Taper
No. 3 1/2	25 mm	No Extension	457	330	8 mm	No Extension	390	260	27	45 mm	3 mm
No. 5	25 mm	560 mm	666	425	8 mm	510 mm	590	350	32	50 mm	3 mm
No. 6	40 mm	610 mm	854	524	10 mm	510 mm	775	444	32	50 mm	3 mm

* Excluding conduit web ** Top dimension

DIMENSION TABLE

PULL BOX	CONCRETE BOX				NON-PCC BOX			CONCRETE OR NON-PCC COVERS					
	Minimum * Thickness	Minimum Depth Box and Extension	L0 (mm)	W0 (mm)	L1 (mm)	W1 (mm)	Minimum ** Thickness	Minimum Depth Box and Extension	L ** (mm)	W ** (mm)	R (mm)	Edge Thickness	Edge Taper
No. 3 1/2(T)	40 mm	305 mm	530 ±	430 ± 25	370 ±	270 ± 25	Does Not Apply	Does Not Apply	510 ±	350 ±	0	13 mm	None
No. 5(T)	45 mm	305 mm	750 ±	600 ± 25	480 ±	330 ± 25	Does Not Apply	Does Not Apply	690 ±	410 ±	0	13 mm	None
No. 6(T)	50 mm	305 mm	900 ±	760 ± 25	600 ±	430 ± 25	Does Not Apply	Does Not Apply	840 ±	510 ±	0	13 mm	None

* Excluding conduit web ** Top dimension

NOTES ON PULL BOXES:

- Traffic pull box shall be provided with steel cover and special concrete footing. Steel cover shall have embossed non-skid pattern.
- Steel reinforcing shall be as regularly used in the standard products of the respective manufacturer.
- Top of pull boxes shall be flush with surrounding grade or top of adjacent curb, except that in unpaved areas where pull box is not immediately adjacent to and protected by a concrete foundation, pole or other protective construction, the box shall be placed with its top 30 mm above surrounding grade. Where practicable, pull boxes shown in the vicinity of curbs shall be placed adjacent to the back of curb, and pull boxes shown adjacent to standards shall be placed on side of foundation facing away from traffic, unless otherwise noted. When pull box is installed in sidewalk area, the depth of the pull box shall be adjusted so that the top of the pull box is flush with the sidewalk.
- Pull box covers shall be marked as follows: "SERVICE" Service circuits between service point and service disconnect; "SPRINKLER-CONTROL" Sprinkler control circuits, 50 V or less; "CALTRANS" On all pull boxes, except pull boxes marked "SPRINKLER-CONTROL"; and "TELEPHONE" Telephone service.
 - No. 3 1/2 pull box.
 - "SIGNAL" Traffic signal circuits with or without street or sign lighting circuits.
 - "ST LIGHTING" Street or sign lighting circuits where voltage is under 600 V.

- No. 5, 6, 9 or 9A pull box.
 - "TRAFFIC SIGNAL" Traffic signal circuits with or without street or sign lighting circuits.
 - "STREET LIGHTING" Street or sign lighting circuits where voltage is under 600 V.
 - "STREET LIGHTING-HIGH VOLTAGE" Street or sign lighting circuits where voltage is above 600 V.
 - "IRRIGATION" Circuits to irrigation controller 120 V or more.
 - "RAMP METER" Ramp meter circuits.
 - "COUNT STATION" Count or speed monitor circuits.
 - "COMMUNICATION" Communication circuits.
 - "TOS COMMUNICATIONS" TOS communications line.
 - "TOS POWER" TOS power.
 - "TDC POWER" Telephone demarcation cabinet power.
 - "CCTV" Closed circuit television circuits.
 - "TMS" Traffic monitoring station circuits.
 - "CMS" Changeable message sign circuits.
 - "HAR" Highway advisory radio circuits.

- Bonding jumper for metal covers shall be 1 m long, minimum.
- The nominal dimensions of the opening in which the cover sets shall be the same as the cover dimensions except the length and width dimensions shall be 3 mm greater.
- Covers and boxes shall be interchangeable with California standard male and female gages. When interchanged with a standard male or female gage, the top surfaces shall be flush within 3 mm. Top outside edge of concrete covers and pull boxes shall have a 6 mm minimum radius.
- Pull box shall not be installed within the boundaries of new or existing curb ramps.
- Pull boxes for electroliers, post and signal standards shall be located ± 1.5 m from the station of the adjacent electrolier, post or signal standard. Pull boxes shall be placed adjacent to back of curb or edge of shoulder except where this is impractical, a box may be placed in another suitable protected and accessible location.

STATE OF CALIFORNIA
 DEPARTMENT OF TRANSPORTATION

ELECTRICAL SYSTEMS
(PULL BOX DETAILS)

NO SCALE

ALL DIMENSIONS ARE IN
 MILLIMETERS UNLESS OTHERWISE SHOWN

RSP ES-8 DATED OCTOBER 5, 2007 SUPERSEDES STANDARD PLAN ES-8
 DATED JULY 1, 2004-PAGE 467 OF THE STANDARD PLANS BOOK DATED JULY 2004.

REVISED STANDARD PLAN RSP ES-8

2004 REVISED Std PLAN RSP ES-8