


458

To accompany plans dated _____



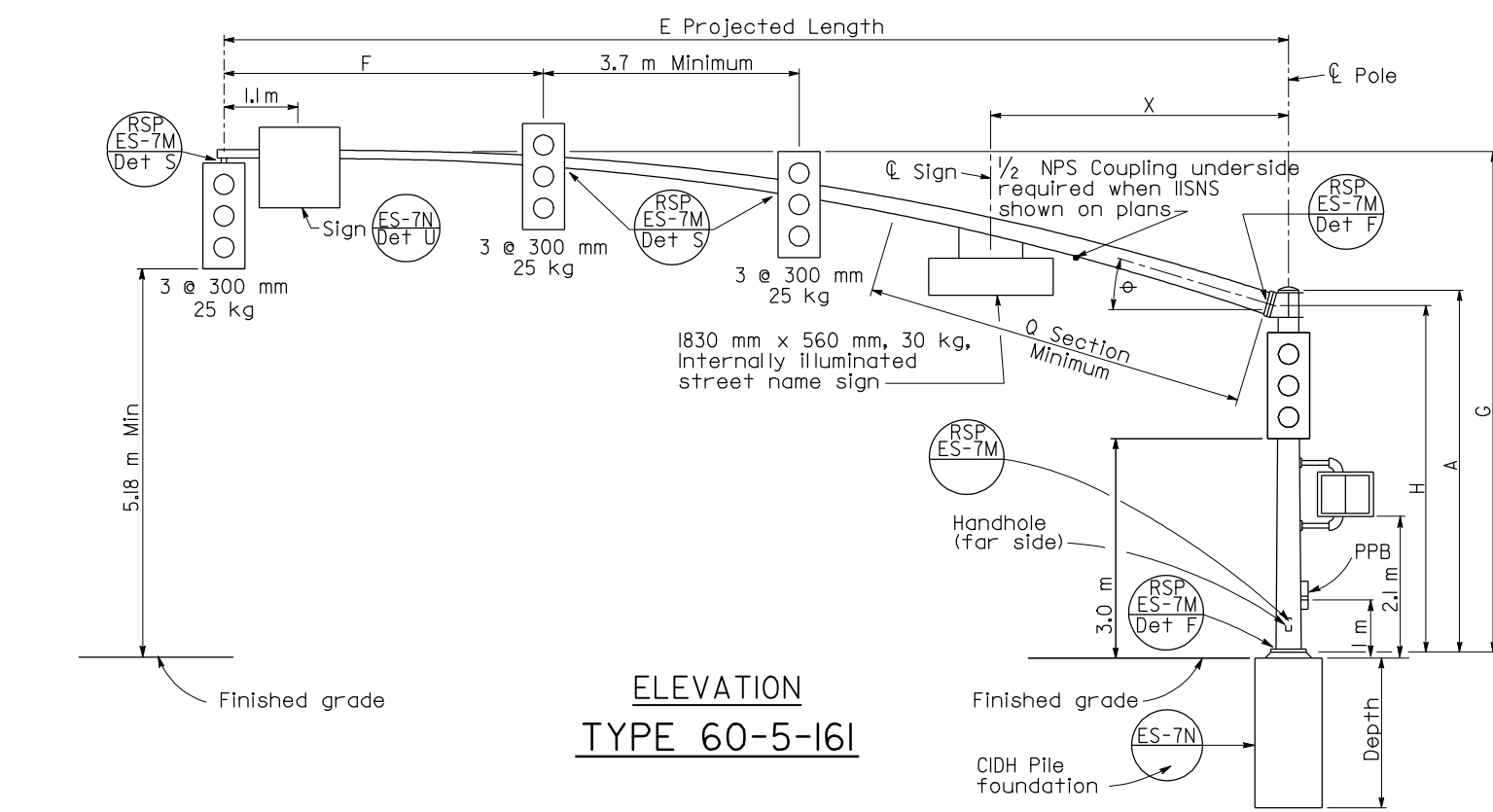
REGISTERED CIVIL ENGINEER
 Stanley P. Johnson
 No. C57793
 Exp. 3-31-08
 STATE OF CALIFORNIA

October 5, 2007
 PLANS APPROVAL DATE

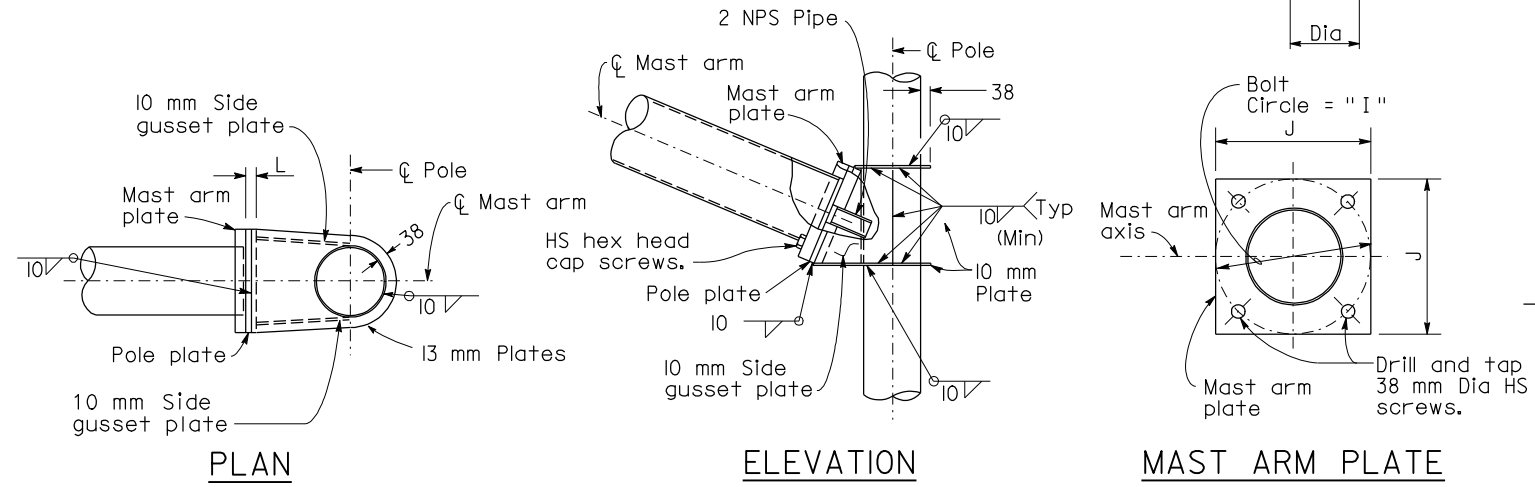
The State of California or its officers or agents shall not be responsible for the accuracy or completeness of electronic copies of this plan sheet.

To get to the Caltrans web site, go to: <http://www.dot.ca.gov>

DIST	COUNTY	ROUTE	KILOMETER TOTAL PROJECT	POST TOTAL PROJECT	SHEET NO.	TOTAL SHEETS



**ELEVATION
TYPE 60-5-161**



SIGNAL ARM CONNECTION DETAIL

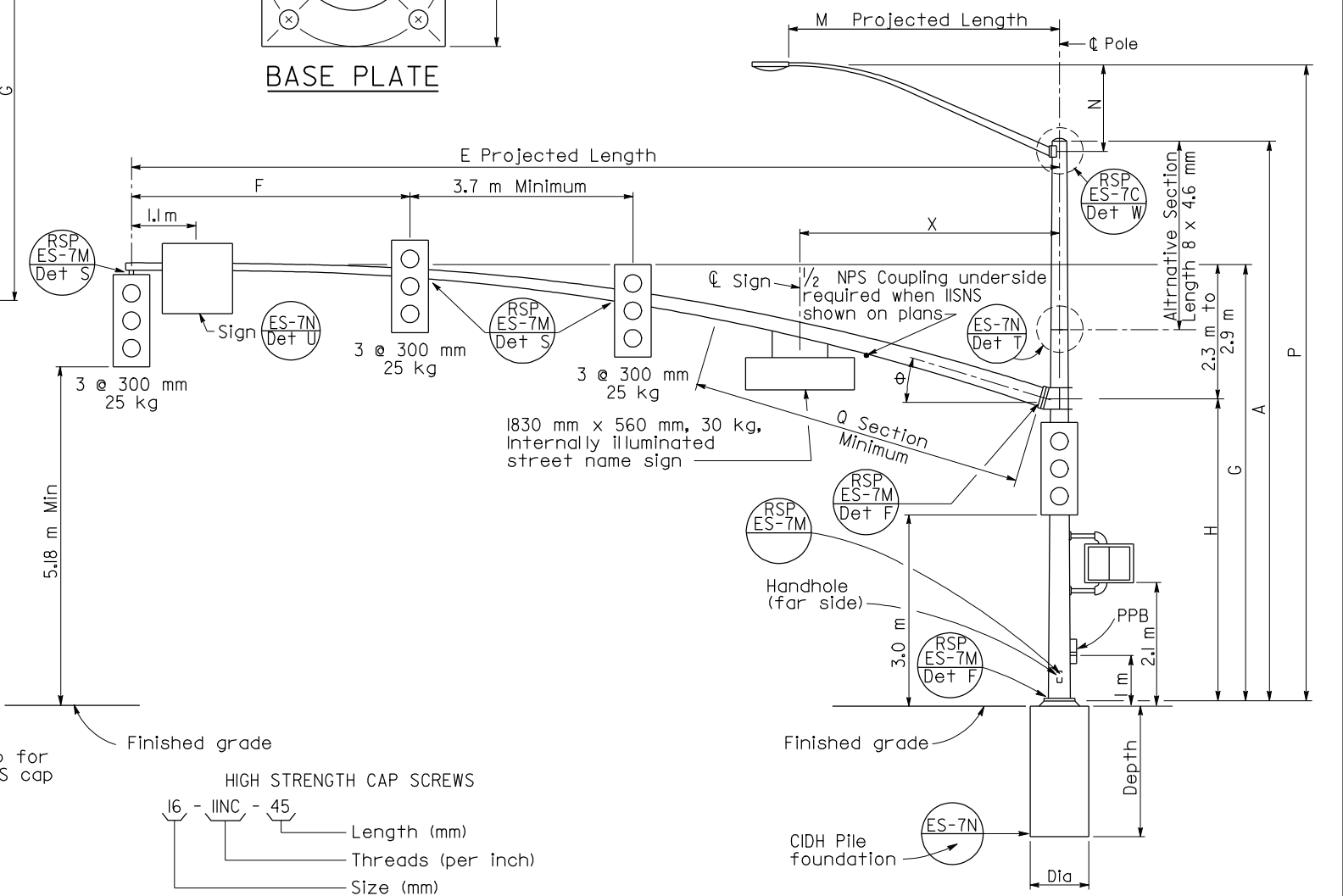
NOTE
 The radial separation between the face of the pole and the adjacent insides of the top and bottom gusset plates shall not exceed 5 mm. Fillet weld size to be increased by amount of gap.

SIGNAL ARM DATA														
E Projected Length	F Min Spacing	G Mounting Height	H	Min OD At Pole	Thickness	I Bolt Circle	HS Cap Screws	J Plate Size	K Arm P Thickness	L Pole P Thickness	φ	Q SECTION		X Max
												Length	Thickness	
m				mm									m	
18.2	4.6	7.2 to 7.8	4.9	343	4.6	508	38-6NC-102	508	51	51	15°	7.3	6.1	4.3
19.8				343	6.1							8.8	7.9	

LUMINAIRE ARM DATA					
M Projected Length	N Rise	Min OD at Pole	Thickness	P Mounting Height	
				9.1 Pole	10.7 Pole
m				mm	
1.8	610 ±	83	3.04	9.5 ±	11.1 ±
2.4	760 ±	89		9.7 ±	11.3 ±
3.1	990 ±	98		9.9 ±	11.5 ±
3.7	1290 ±			10.2 ±	11.8 ±
4.6	1450 ±	108		10.4 ±	12.0 ±

Pole Type	Load Case	Wind Velocity km/h	POLE DATA			BASE PLATE DATA			Luminaire Arm	Signal Arm	CIDH PILE FOUNDATION						
			A Height	Min OD		Thickness	C	DI Bolt Circle			Thickness	Anchor Bolts Size	Diameter	Depth	Reinforced		
				Base	Top											mm	mm
60-5-161	5	161	5.2	406	347	7.94	584	584	51	57 ø x 1524 x 152	None	1.8-4.6	4.6	18.2, 19.8	914	4.9	Yes
61-5-161			9.1	301													
61A-5-161			10.7	282													

□ Indicates arm length to be used unless otherwise noted on plans.



**ELEVATION
TYPE 61-5-161,
61A-5-161**

**ELECTRICAL SYSTEMS
 (SIGNAL AND LIGHTING STANDARD
 CASE 5 ARM LOADING
 WIND VELOCITY=161 km/h
 ARM LENGTHS 18.2 m TO 19.8 m)**

NO SCALE
 ALL DIMENSIONS ARE IN
 MILLIMETERS UNLESS OTHERWISE SHOWN

RSP ES-7H DATED OCTOBER 5, 2007 SUPERSEDES RSP ES-7H
 DATED JANUARY 24, 2005 AND STANDARD PLAN ES-7H
 DATED JULY 1, 2004-PAGE 458 OF THE STANDARD PLANS BOOK DATED JULY 2004.

REVISED STANDARD PLAN RSP ES-7H

2004 REVISED STD PLAN RSP ES-7H