

**NOTES**

1. Pipe dimensions for pedestrian push button post are nominal. See ASTM A6M.
2. For additional details and data for Type 15TS Standard, see Standard Plan ES-6A.



DIST	COUNTY	ROUTE	KILOMETER POST TOTAL PROJECT	SHEET NO.	TOTAL SHEETS

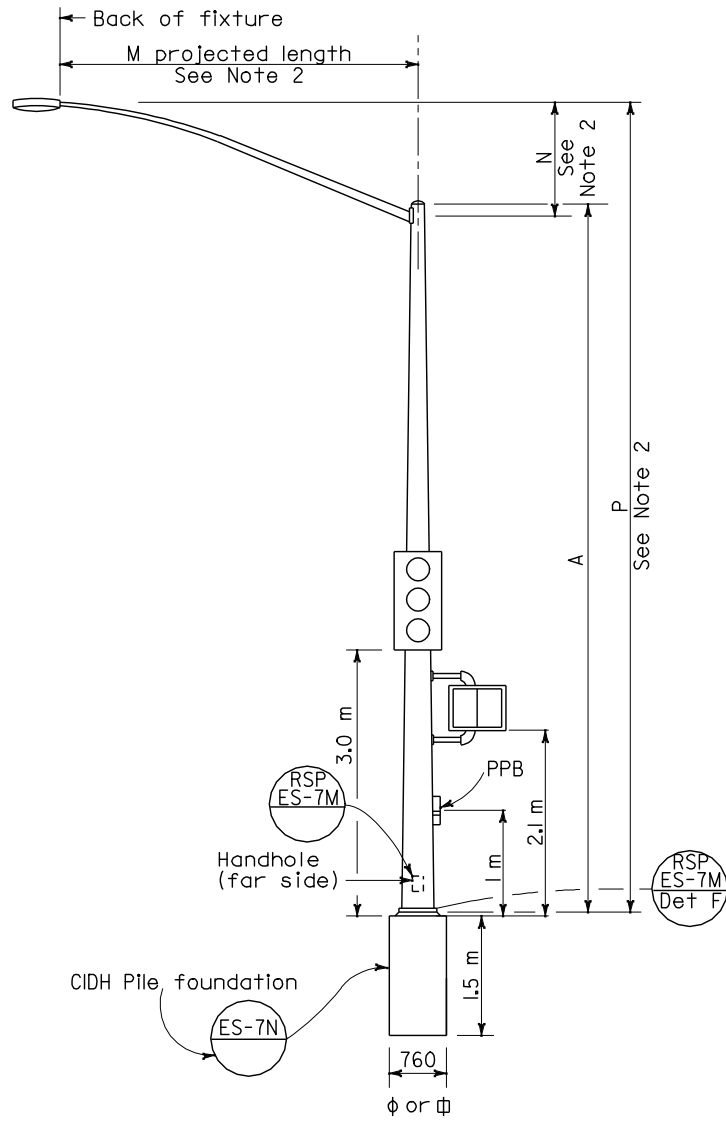
REGISTERED CIVIL ENGINEER  
**Tillat Sattar**  
 No. C42892  
 Exp. 03-31-06  
 CIVIL  
 STATE OF CALIFORNIA

January 24, 2005  
 PLANS APPROVAL DATE

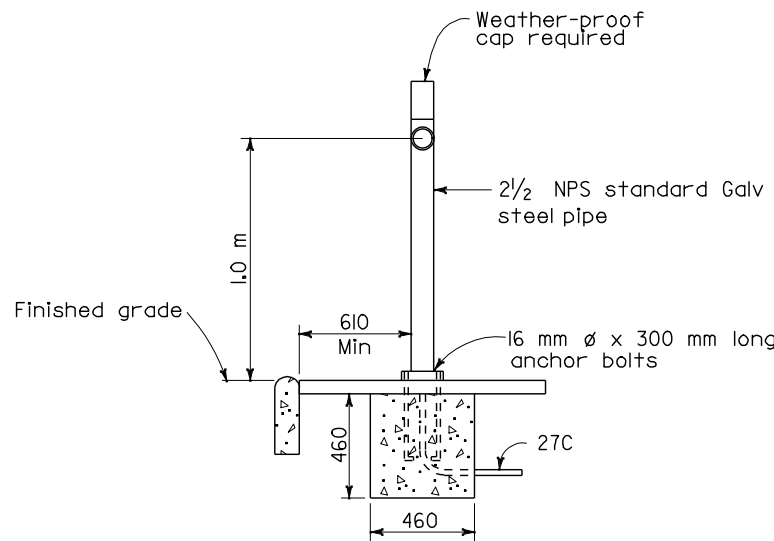
*The State of California or its officers or agents shall not be responsible for the accuracy or completeness of electronic copies of this plan sheet.*

To get to the Caltrans web site, go to: <http://www.dot.ca.gov>

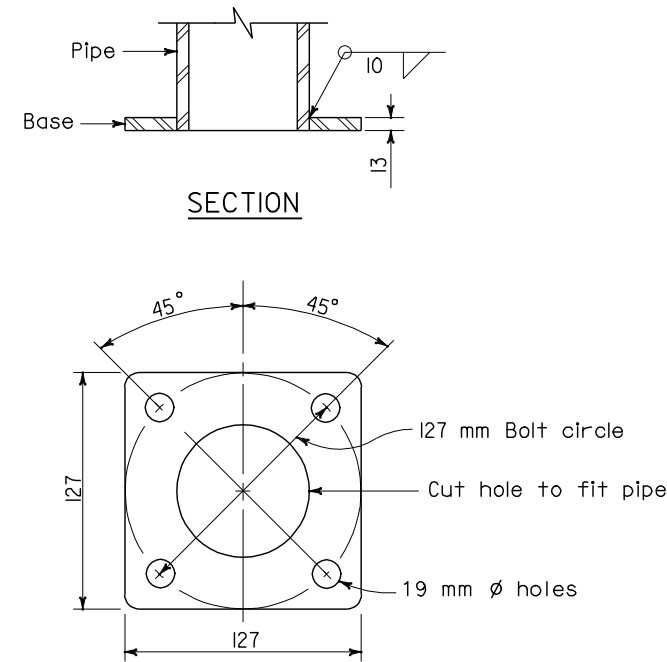
To accompany plans dated \_\_\_\_\_



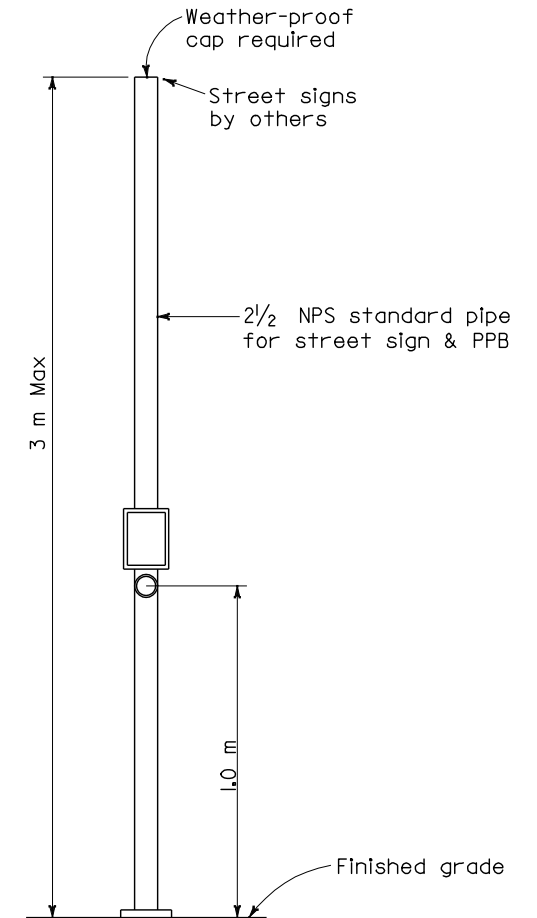
**ELEVATION**  
**TYPE 15TS STANDARD**  
 See Note 2



**ELEVATION**  
**PEDESTRIAN PUSH BUTTON POST**



**SECTION**  
**BASE PLATE**  
**PPB POST**



**COMBINED STREET SIGN**  
**PEDESTRIAN PUSH BUTTON POST**

STATE OF CALIFORNIA  
 DEPARTMENT OF TRANSPORTATION

**ELECTRICAL SYSTEMS**  
**(SIGNAL STANDARDS**  
**PUSH BUTTON POSTS**  
**AND TYPE 15TS STANDARD)**

NO SCALE

ALL DIMENSIONS ARE IN  
 MILLIMETERS UNLESS OTHERWISE SHOWN

RSP ES-7A DATED JANUARY 24, 2005 SUPERSEDES STANDARD PLAN ES-7A  
 DATED JULY 1, 2004-PAGE 451 OF THE STANDARD PLANS BOOK DATED JULY 2004.

**REVISED STANDARD PLAN RSP ES-7A**

TYPE 15TS STANDARD (See Note 2)

A Height	POLE DATA			BASE PLATE DATA			
	Min OD		Wall Thickness	C	DI Bolt Circle	Thick- ness	Anchor Bolts Size
	Base	Top					
m	mm	mm	mm	mm			
9.1	203	98	4.55	305	305	25	32 $\phi$ x 915 x 152