



DIST	COUNTY	ROUTE	KILOMETER POST TOTAL PROJECT	SHEET NO.	TOTAL SHEETS

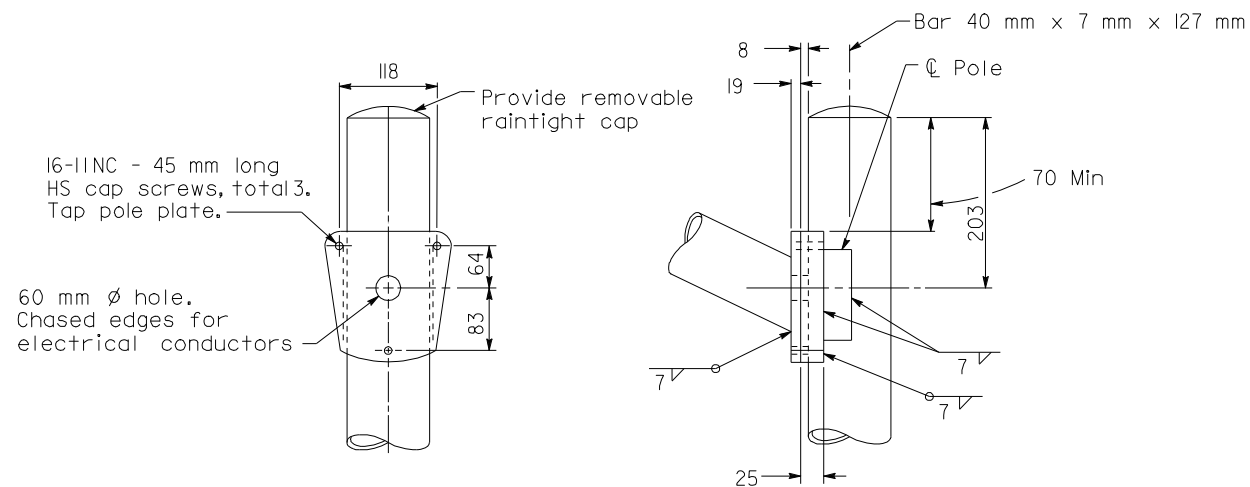
Stanley P. Johnson
 REGISTERED CIVIL ENGINEER
 January 18, 2008
 PLANS APPROVAL DATE
 The State of California or its officers or agents shall not be responsible for the accuracy or completeness of electronic copies of this plan sheet.
 To get to the Caltrans web site, go to: <http://www.dot.ca.gov>
 To accompany plans dated _____

REGISTERED PROFESSIONAL ENGINEER
 Stanley P. Johnson
 No. C57793
 Exp. 03-31-08
 CIVIL
 STATE OF CALIFORNIA

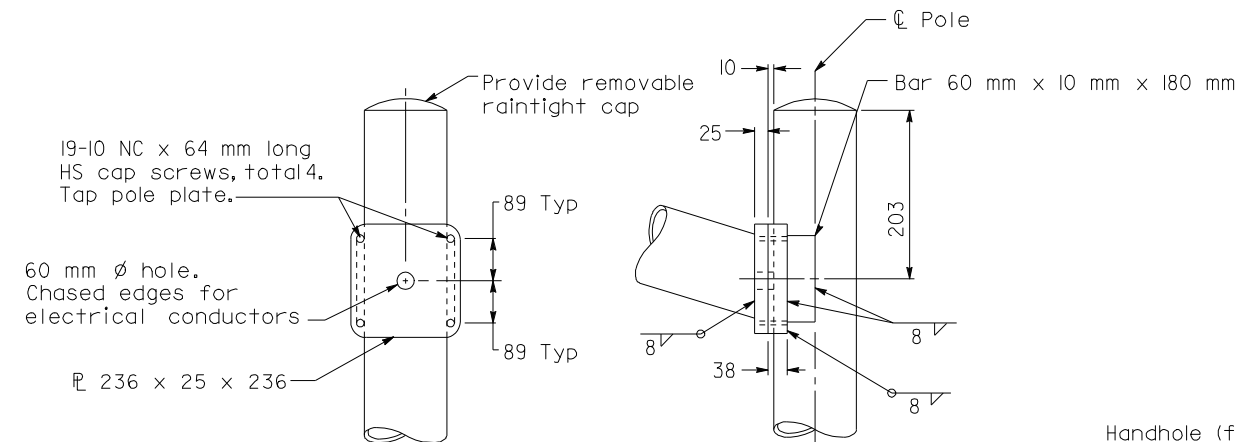
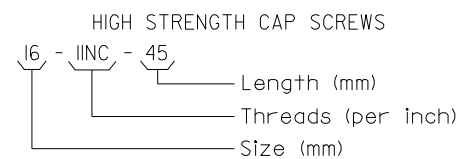
LUMINAIRE ARM DATA

PROJECTED LENGTH	THICKNESS	MINIMUM OD @ POLE	MOUNTING HEIGHT
m	mm	mm	m
* 1.8	3.04	83	11.2±
2.4		89	11.4±
3.1		95	11.6±
3.7		95	11.9±
4.6	108	12.0±	
** 6.1	4.55	127	11.3±

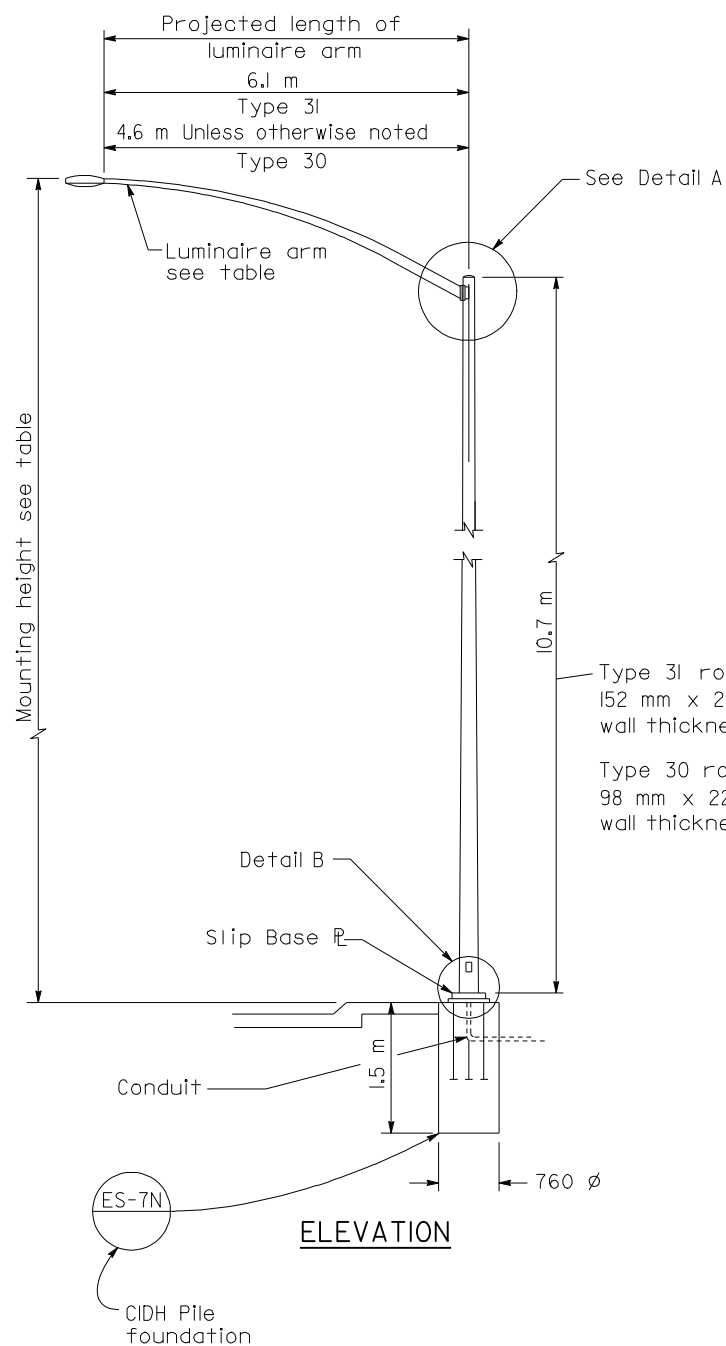
- * Type 30 - arm length 1.8 m - 4.6 m maximum
- ** Type 31 - arm lengths 6.1 m



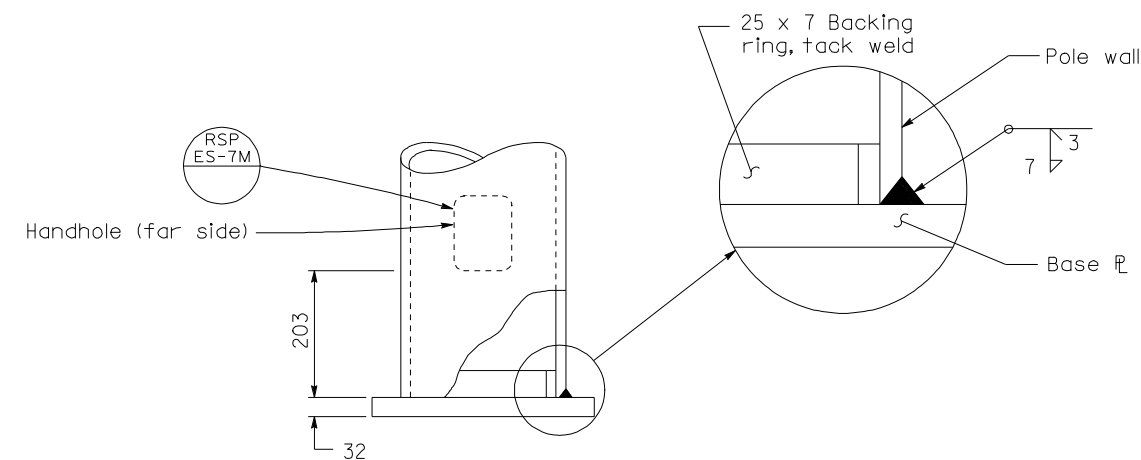
DETAIL A - TYPE 30



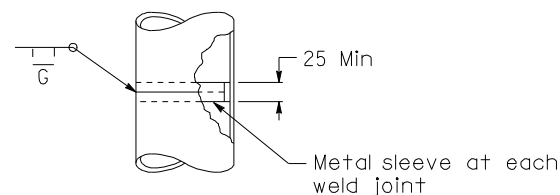
DETAIL A - TYPE 31



ELEVATION



DETAIL B



POLE SPLICE

STATE OF CALIFORNIA
DEPARTMENT OF TRANSPORTATION
**ELECTRICAL SYSTEMS
(LIGHTING STANDARDS
TYPES 30 AND 31**

NO SCALE

ALL DIMENSIONS ARE IN MILLIMETERS UNLESS OTHERWISE SHOWN

RSP ES-6E DATED JANUARY 18, 2008 SUPERSEDES RSP ES-6E DATED JANUARY 218, 2005 AND STANDARD PLAN ES-6E DATED JULY 1, 2004-PAGE 444 OF THE STANDARD PLANS BOOK DATED JULY 2004.

REVISED STANDARD PLAN RSP ES-6E

2004 REVISED Std PLAN RSP ES-6E