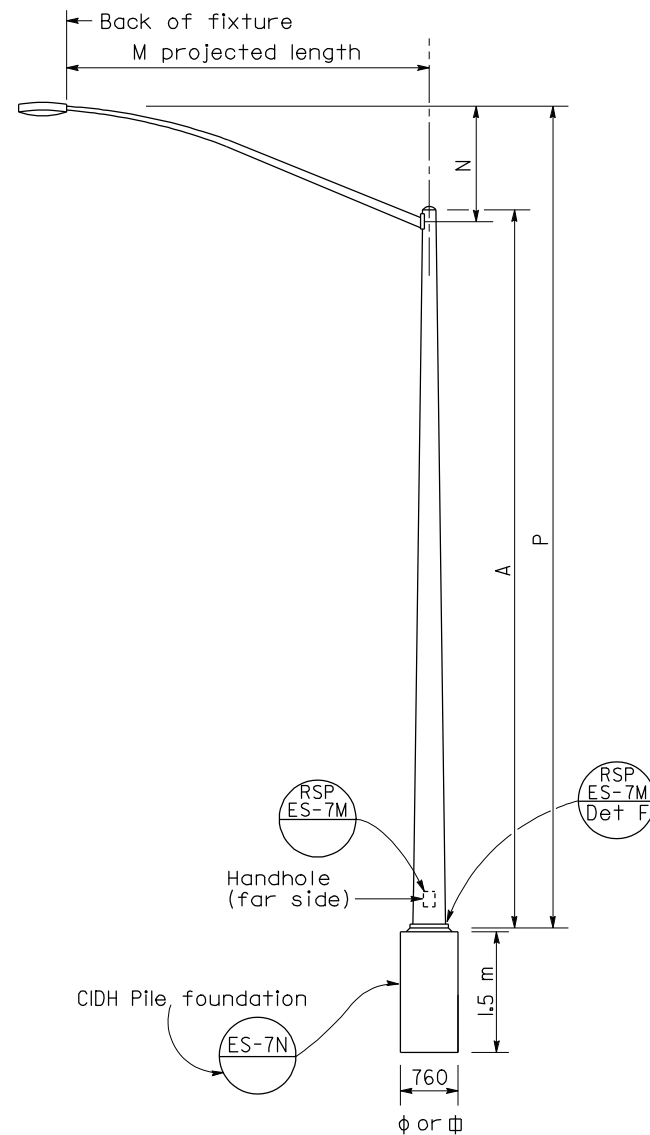
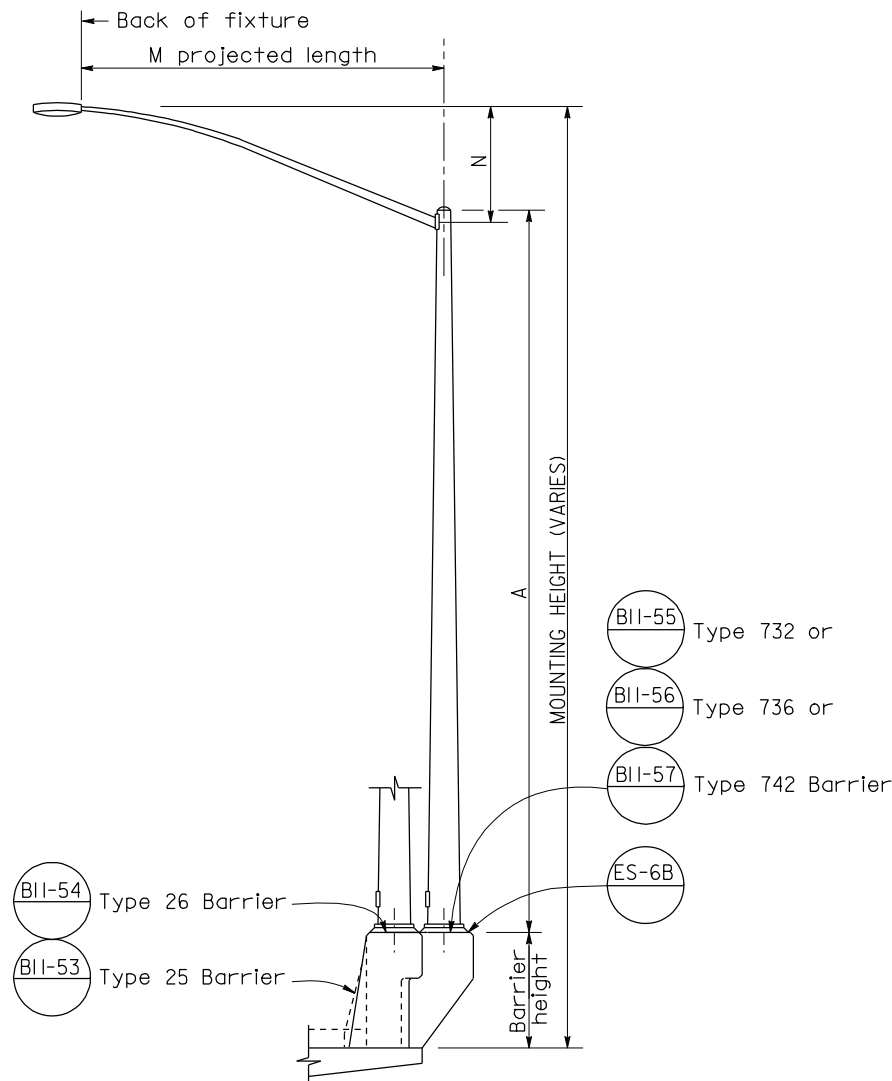




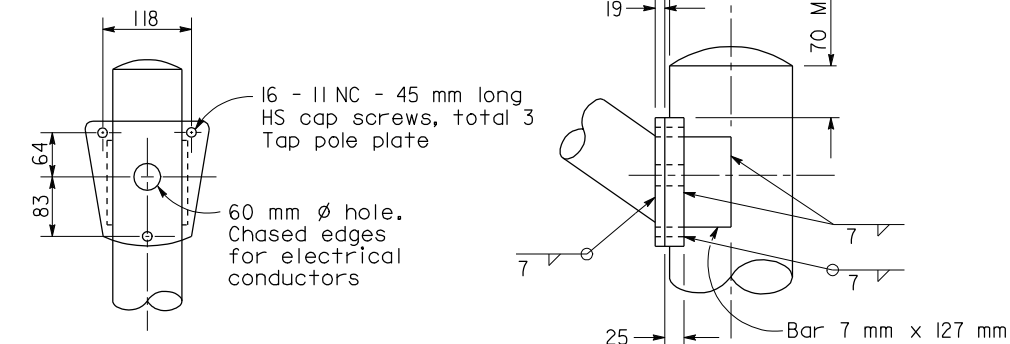
DIST	COUNTY	ROUTE	KILOMETER POST TOTAL PROJECT	SHEET NO.	TOTAL SHEETS
October 5, 2007 PLANS APPROVAL DATE					
The State of California or its officers or agents shall not be responsible for the accuracy or completeness of electronic copies of this plan sheet.					
To get to the Caltrans web site, go to: http://www.dot.ca.gov					



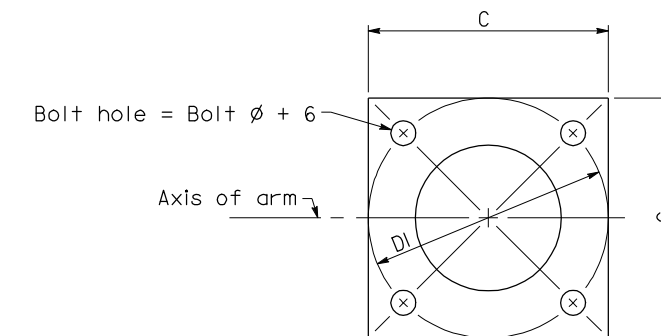
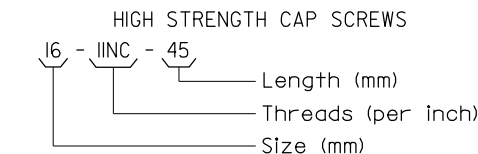
ELEVATION
TYPE 15 AND TYPE 21



ELEVATION
TYPE 15 AND TYPE 21 BARRIER RAIL MOUNTED



DETAIL R
LUMINAIRE ARM CONNECTION



BASE PLATE

POLE TYPE	POLE DATA				BASE PLATE DATA				LUMINAIRE ARM
	A Height	Min OD		Wall Thickness	C	DI Bolt Circle	Thick-ness	Anchor Bolts Size	
		Base	Top						
	m	mm	mm	mm	mm				m
15	9.1	203	98	3.04	305	305	25	25 ø x 915 x 102*	1.8-4.6 [3.7]
21	10.7	219	98	3.04	305	305	25	See ES-6B	1.8-4.6 [3.7]

LUMINAIRE ARM DATA					
M Projected Length	N Rise	Min OD At Pole	Nominal Thickness	P	
				Type 15	Type 21
m	mm	mm	mm	m	m
1.8	610±	83	3.04	9.5±	11.2±
2.4	760±	89	3.04	9.7±	11.3±
3.1	990±	98	3.04	9.9±	11.5±
3.7	1290±	98	3.04	10.2±	11.8±
4.6	1450±	108	3.04	10.3±	11.9±

*For barrier rail bolts, see Standard Plan ES-6B.

NOTES:

- Indicates arm length to be used unless otherwise noted on the plans.
- For Type 15-SB, use Type 15 standard with Type 30 base plate details, see Standard Plan ES-6F.
- For additional notes, see Revised Standard Plan RSP ES-7M and ES-7N.

STATE OF CALIFORNIA
DEPARTMENT OF TRANSPORTATION
**ELECTRICAL SYSTEMS
(LIGHTING STANDARD
TYPES 15 AND 21)**

NO SCALE
ALL DIMENSIONS ARE IN
MILLIMETERS UNLESS OTHERWISE SHOWN

RSP ES-6A DATED OCTOBER 5, 2007 SUPERSEDES STANDARD PLAN ES-6A DATED JULY 1, 2004-PAGE 440 OF THE STANDARD PLANS BOOK DATED JULY 2004.

REVISED STANDARD PLAN RSP ES-6A

2004 REVISED Std PLAN RSP ES-6A