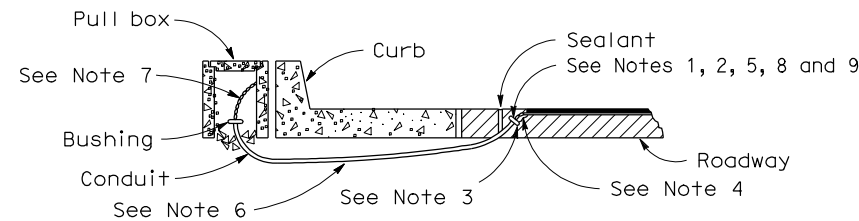




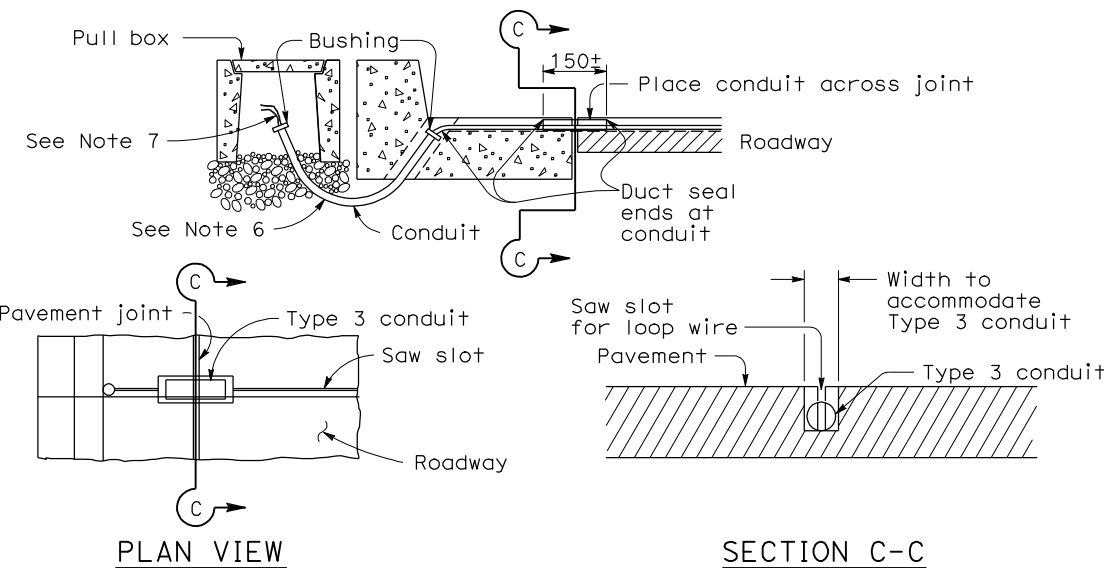
DIST	COUNTY	ROUTE	KILOMETER TOTAL PROJECT	POST TOTAL PROJECT	SHEET NO.	TOTAL SHEETS

Jeffrey B. McRae
 REGISTERED ELECTRICAL ENGINEER
 October 5, 2007
 PLANS APPROVAL DATE
 The State of California or its officers or agents shall not be responsible for the accuracy or completeness of electronic copies of this plan sheet.
 To get to the Caltrans web site, go to: <http://www.dot.ca.gov>

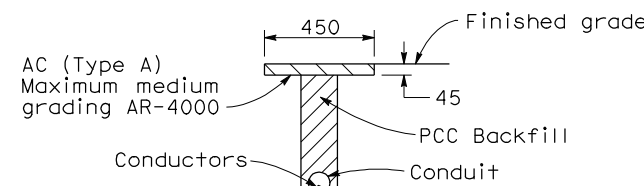
REGISTERED PROFESSIONAL ENGINEER
 Jeffrey G. McRae
 No. E14512
 Exp. 6-30-08
 ELECTRICAL
 STATE OF CALIFORNIA



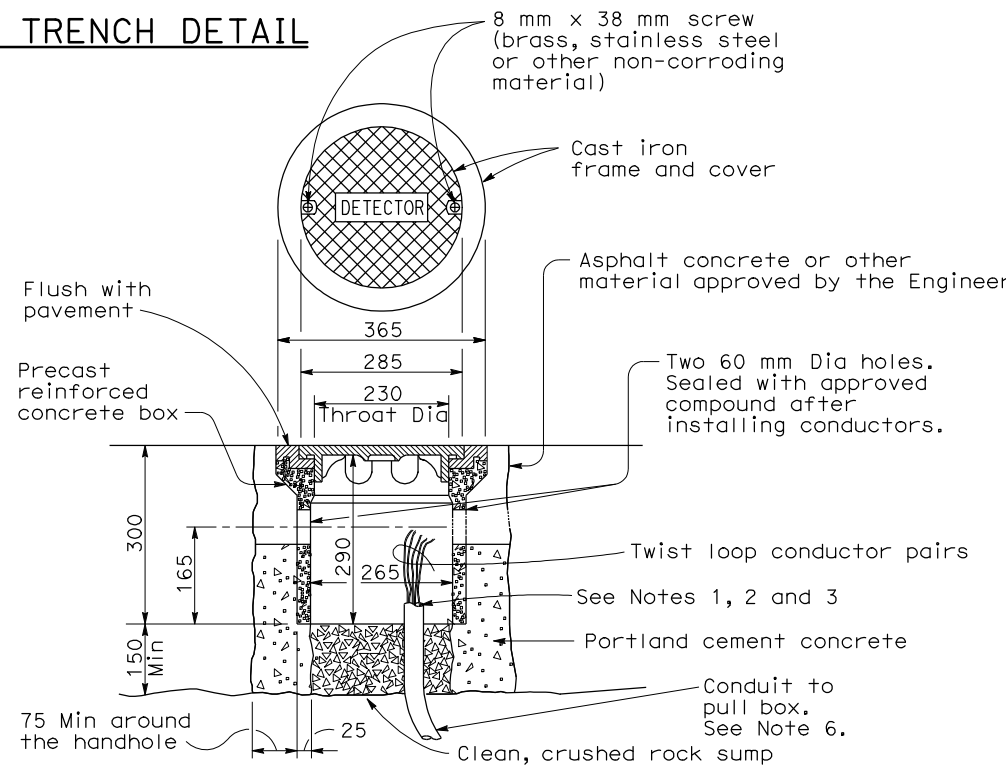
**TYPE A
CURB TERMINATION DETAIL**



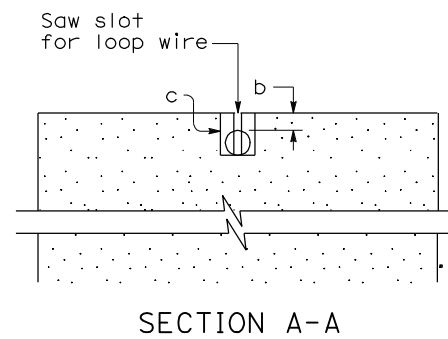
**TYPE B
CURB TERMINATION DETAILS**



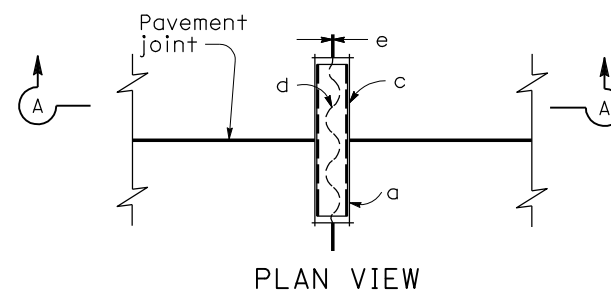
"T" TRENCH DETAIL



DETECTOR HANDHOLE DETAILS



SECTION A-A

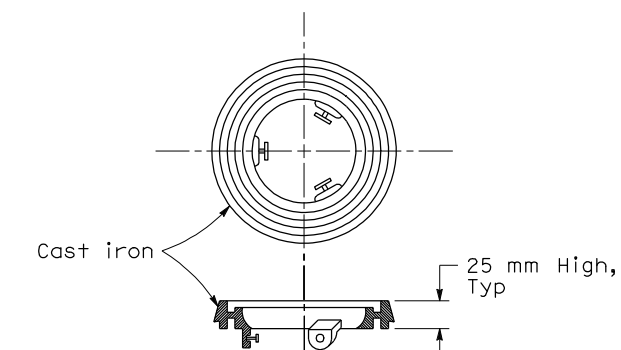


PLAN VIEW

**TYPICAL LOOP LEAD-IN DETAILS
AT PAVEMENT JOINT**

NOTES (This sheet only):

- Bushing shall be used at end of conduit.
- Tape detector conductors or cables 75 mm each side of bushings.
- Install duct seal compound to each end of termination conduit before installing sealant.
- Round all sharp edges where detector conductors or cables have to pass.
- End of conduit shall be 80 mm below roadway surface.
- Conduit size Loop Conductors
27C Minimum 1 to 2 pairs
41C Minimum 3 to 4 pairs
53C Minimum 5 or more pairs
- Splice detector conductors or cables to lead-in-cable run to controller cabinet.
- Location of detector handhole when shown on plans.
- When the shoulder and traveled way are paved with the same material and there is no joint between them, the conduit shall extend only 600 mm into the shoulder pavement.



NOTE:
Use for Type A detector handhole on pavement resurfacing only.

LOCKING GRADE RING

NOTES:

- 21C, Type 3 conduit 150 mm long minimum, plug both ends with caulking compound to keep out sealant.
- 13 mm minimum between top of conduit and pavement surface.
- Saw cut shall not exceed 25 mm in width and 3 mm longer than conduit to be installed.
- Conductors with 13 mm minimum slack inside conduit.
- Inductive loop detector saw slot.

STATE OF CALIFORNIA
DEPARTMENT OF TRANSPORTATION

**ELECTRICAL SYSTEMS
(DETECTORS)**

NO SCALE
ALL DIMENSIONS ARE IN
MILLIMETERS UNLESS OTHERWISE SHOWN

RSP ES-5D DATED OCTOBER 5, 2007 SUPERSEDES STANDARD PLAN ES-5D
DATED JULY 1, 2004-PAGE 439 OF THE STANDARD PLANS BOOK DATED JULY 2004.

REVISED STANDARD PLAN RSP ES-5D

2004 REVISED STD PLAN RSP ES-5D