


DIST	COUNTY	ROUTE	KILOMETER POST TOTAL PROJECT	SHEET NO.	TOTAL SHEETS



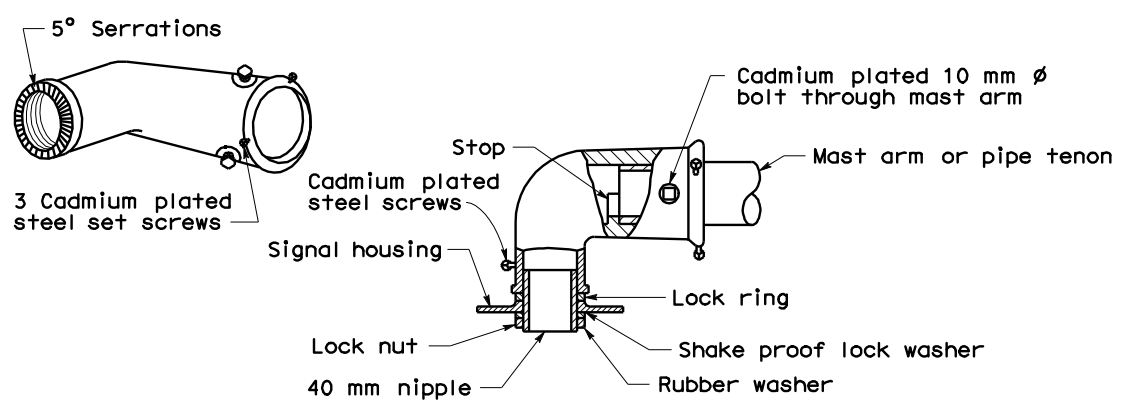
Jeffery G. McRae
REGISTERED ELECTRICAL ENGINEER
No. E14512
Exp. 6-30-10
ELECTRICAL
STATE OF CALIFORNIA

June 6, 2008
PLANS APPROVAL DATE

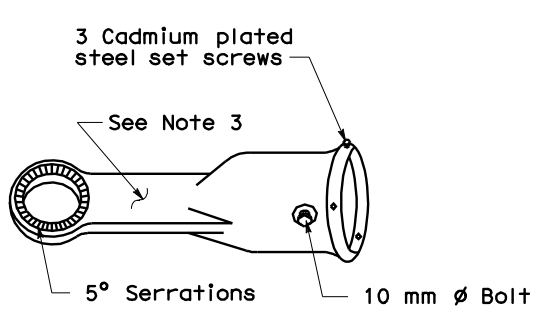
The State of California or its officers or agents shall not be responsible for the accuracy or completeness of electronic copies of this plan sheet.

To get to the Caltrans web site, go to: <http://www.dot.ca.gov>

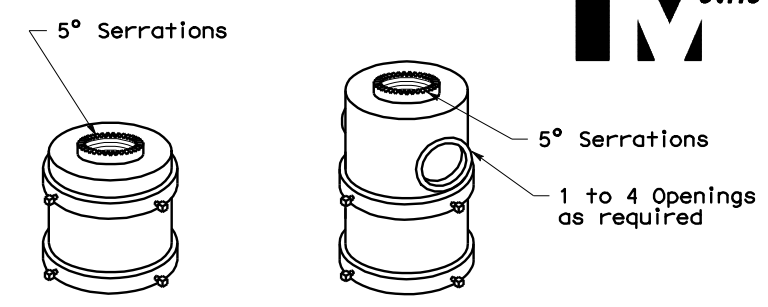
To accompany plans dated _____



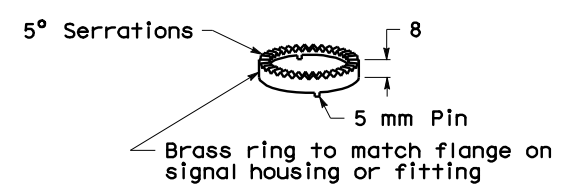
MAST ARM MOUNTING - TYPE "MAT"
For 2 NPS pipe, see Note 1.



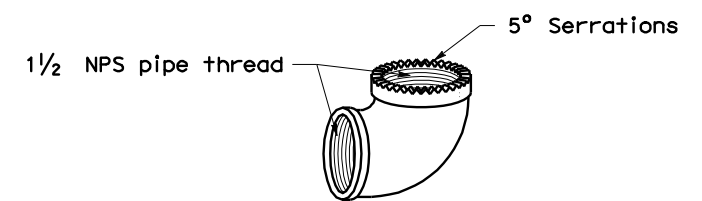
MAST ARM MOUNTING - TYPE "MAS"
For 2 NPS pipe. See Note 1.
SIGNAL SLIP FITTERS



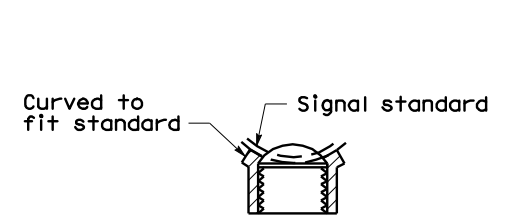
For one mounting For multiple mountings
TOP MOUNTINGS
For 4 NPS pipe, see Note 2.



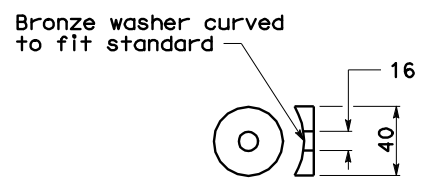
LOCK RING
Use where locking ring is not integral with signal housing or fitting.



SPECIAL 90° ELBOW
One for each signal head, except those with special slip fitter mounting



SECTION A-A

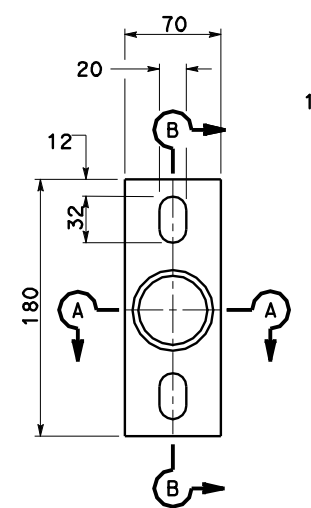


WASHER DETAIL "C"

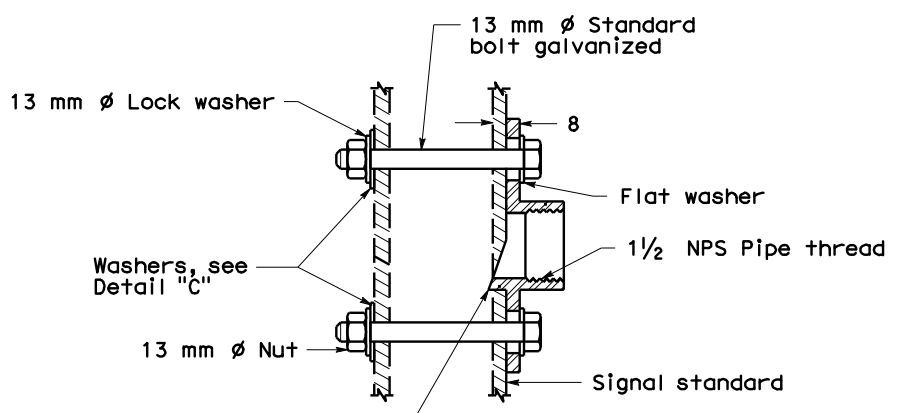
MISCELLANEOUS MOUNTING HARDWARE

NOTES

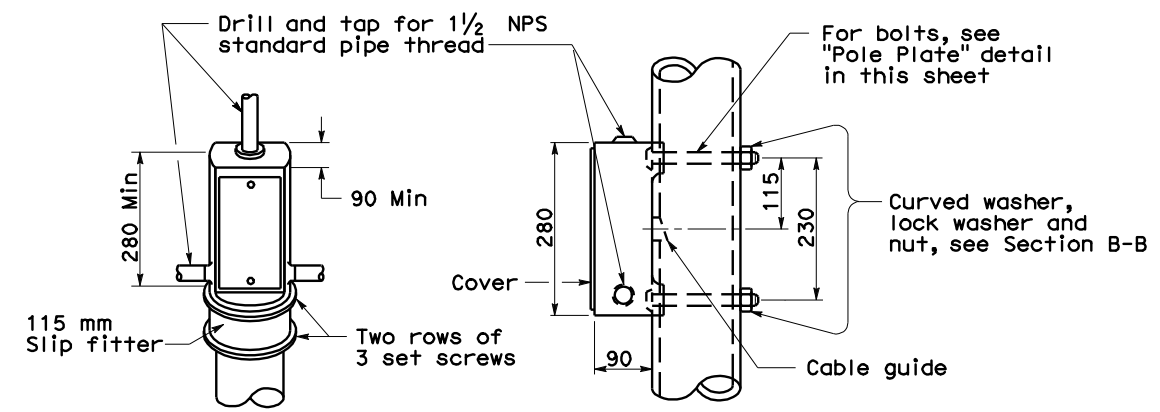
- After mast arm signal has been plumbed and secured, drill 11 mm hole through mast arm tenon in line with slip fitter hole. Place a cadmium plated 10 mm diameter galvanized bolt with washer under bolt head through hole and secure with washer, nut, and locknut. Seal openings between mast arm mountings and mast arm with mastic.
- (a) Threaded top mounted slip fitter openings shall be 1/2 NPS.
(b) Serrations in fittings shall match those on bottom of signal heads or in lock ring.
(c) Top opening shall be offset when backplate is used.
- Wireway shall have a cross section area of 600 mm² minimum. Minimum width of 13 mm.



POLE PLATE
For side mountings



SECTION B-B



TOP MOUNTING SIDE MOUNTING
TERMINAL COMPARTMENTS

STATE OF CALIFORNIA
DEPARTMENT OF TRANSPORTATION
**ELECTRICAL SYSTEMS
(SIGNAL HEADS AND MOUNTINGS)**

NO SCALE
ALL DIMENSIONS ARE IN MILLIMETERS UNLESS OTHERWISE SHOWN

RSP ES-4D DATED JUNE 6, 2008 SUPERSEDES STANDARD PLAN ES-4D DATED July 1, 2004 - PAGE 434 OF THE STANDARD PLANS BOOK DATED July 2004.

REVISED STANDARD PLAN RSP ES-4D

434

2004 REVISED STD PLAN RSP ES-4D