



DIST	COUNTY	ROUTE	KILOMETER TOTAL PROJECT	POST NO.	SHEET NO.	TOTAL SHEETS

Jeffrey G. McRae
 REGISTERED ELECTRICAL ENGINEER

October 5, 2007
 PLANS APPROVAL DATE

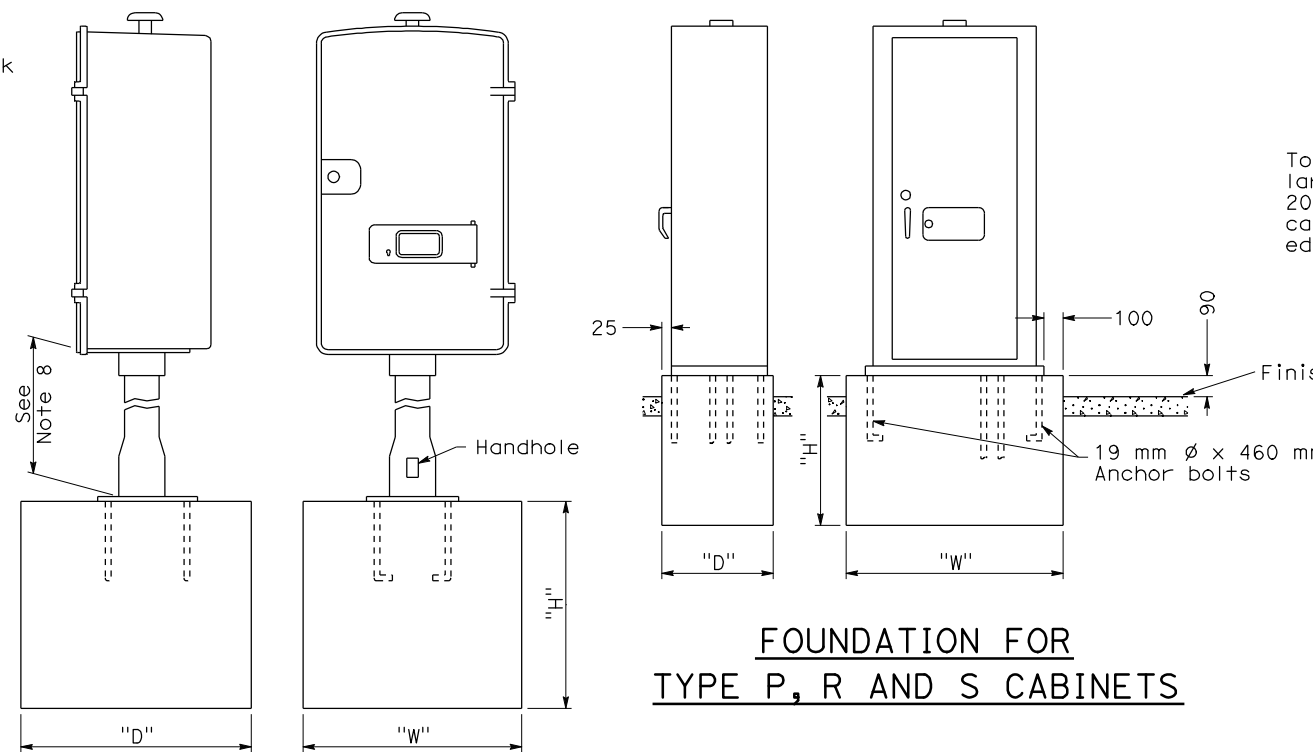
The State of California or its officers or agents shall not be responsible for the accuracy or completeness of electronic copies of this plan sheet.

To get to the Caltrans web site, go to: <http://www.dot.ca.gov>

REGISTERED PROFESSIONAL ENGINEER
 Jeffrey G. McRae
 No. E14512
 Exp. 6-30-08
 ELECTRICAL
 STATE OF CALIFORNIA

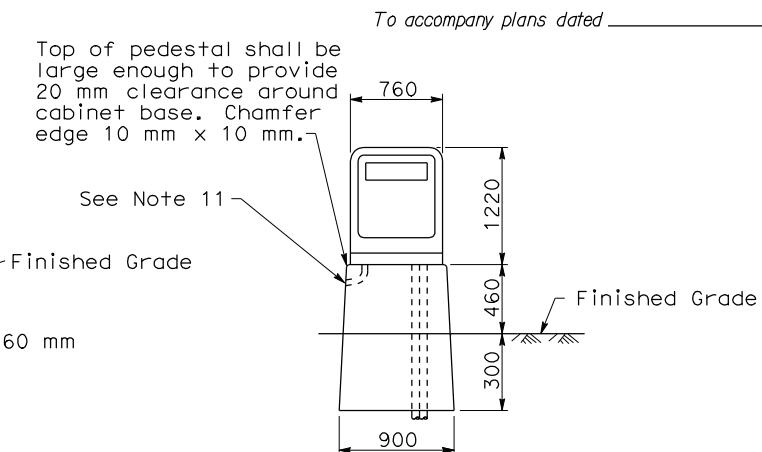
NOTES - CONTROLLER CABINETS

- Cabinet dimensions are nominal.
- Foundations shall be located to provide 600 mm minimum clearance between face of curb and any portion of cabinet.
- Type G, M, P, R, S and Model 336 cabinets shall be installed with the back toward the nearest lane of traffic.
- The controller cabinet ground bus shall be bonded to the controller equipment enclosure.
- In unpaved areas, a raised portland cement concrete pad shall be constructed in front of each controller cabinet. Pad shall be 900 mm x 900 mm x 100 mm for Type G cabinets and shall be 900 mm x 100 mm thick x width of foundation for Types M, P, R, S and Model 336 cabinets.
- In unpaved areas, the top of foundation for Type G, P, R and S cabinets shall be 150 mm above surrounding grade. Top of foundation for Type M or Model 336 cabinet shall be 460 mm above surrounding grade.
- In sidewalks and other paved areas, top of foundation for Type G cabinet shall be level with surrounding grade. Top of foundation for Type P, R and S cabinets shall be 90 mm above surrounding grade.
- The steel pedestal, base plate, bolt circle and foundation for Type G cabinet shall be the same as that shown for a Type 1-C Standard. Pedestal shall be 640 mm - 760 mm in length. Anchor bolts shall be 19 mm ϕ x 460 mm with a 50 mm - 90° bend. Four bolts required per cabinet.
- Type G cabinet shall be provided with a slipfitter to permit mounting an 114 mm outside diameter pedestal. Slipfitter shall be bolted to bottom of the cabinet.
- Type G cabinet shall be provided with 8 screened, raintight holes, 13 mm diameter or larger, in the bottom of the cabinet.
- A 25 mm drain shall be provided through the foundation of a Type M or Model 336 cabinet. Drain pipe shall be screened.
- See Table for cabinet and foundation dimensions; "D" = Depth, "H" = Height and "W" = Width.
- Cabinet shelves shall be adjustable for vertical spacing and shall be removable. Type M, P, R and S cabinets shall be provided with a minimum of two shelves.
- Anchor bolts for Type M, P, R, S and Model 336 cabinets shall be 19 mm ϕ x 460 mm with a 50 mm - 90° bend.
- An approved mastic or caulking compound shall be placed on the foundation prior to placing the cabinet to seal openings between bottom of cabinet and foundation.
- Controller units, plug-mounted equipment, shelf-mounted equipment and wall-mounted equipment shall be located to permit safe and easy removal or replacement without removing any other piece of equipment.
- Cabinet fan may be installed at an alternate location near the top of the cabinet when approved by the Engineer.
- Where telephone interconnect is required, a minimum of 130 mm clear vertical space shall be provided inside the cabinet for the equipment.
- Telephone interconnect conductors shall be enclosed in a 21C or larger conduit through the foundation. Type 4 metal conduit shall be used to separate telephone and power conductors in cabinets and pedestals.
- For Model 332, 334 and 336 cabinet details, see "Traffic signal controller equipment specifications".



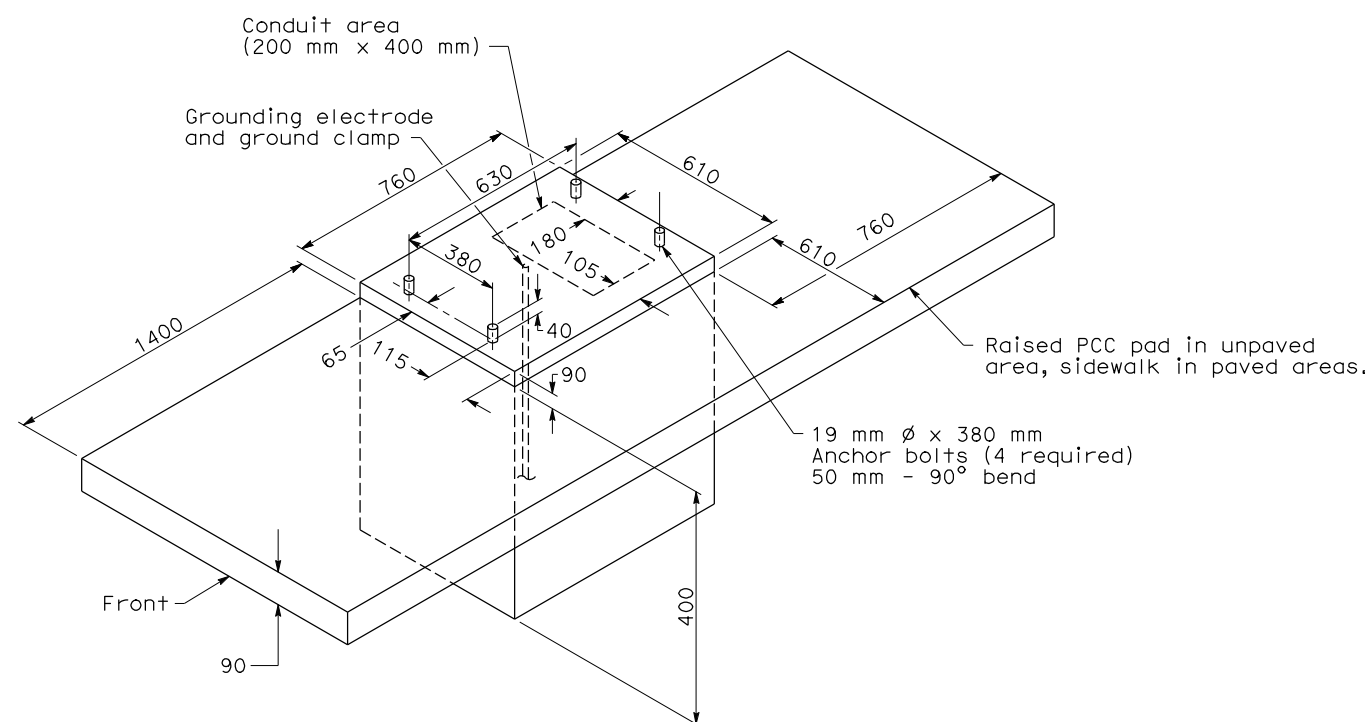
FOUNDATION FOR TYPE G CABINET

FOUNDATION FOR TYPE P, R AND S CABINETS



PEDESTAL FOUNDATION FOR TYPE M OR MODEL 336 CABINET

CABINET TYPE/ MODEL	FOUNDATION		
	H (mm)	W (mm)	D (mm)
G	900	600	600
M 336	760	900	560
P	460	1330	710
R	460	1330	710
S	460	1820	710



FOUNDATION DETAILS
For Model 332 and 334 cabinets

STATE OF CALIFORNIA
DEPARTMENT OF TRANSPORTATION
ELECTRICAL SYSTEMS (CONTROLLER CABINET DETAILS)

NO SCALE
ALL DIMENSIONS ARE IN MILLIMETERS UNLESS OTHERWISE SHOWN

RSP ES-3C DATED OCTOBER 5, 2007 SUPERSEDES STANDARD PLAN ES-3C DATED JULY 1, 2004-PAGE 425 OF THE STANDARD PLANS BOOK DATED JULY 2004.

REVISED STANDARD PLAN RSP ES-3C

2004 REVISED STD PLAN RSP ES-3C