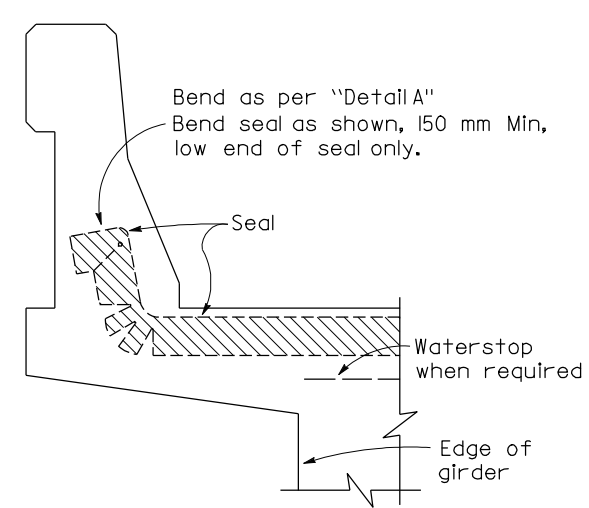
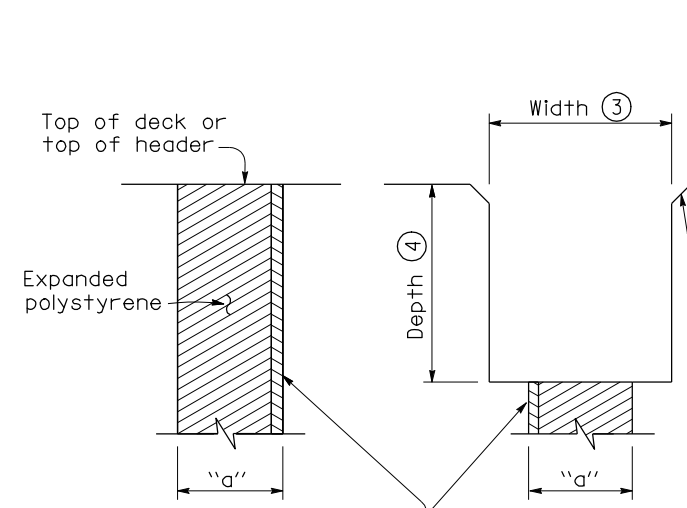


NOTE:
 Type "B" seal shown. Type "A" seals to conform to the general path of seal shown, cuts for bending not required. Bend Type "A" seals 75 mm up into curb or barrier rail on only the low end of the seal.



CONCRETE BARRIER



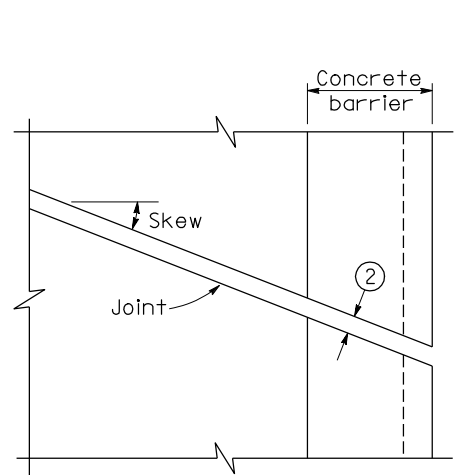
3 mm Max thickness hardboard protection on concrete placement side, or sides.

FORMING DETAIL

SAWCUT DETAIL

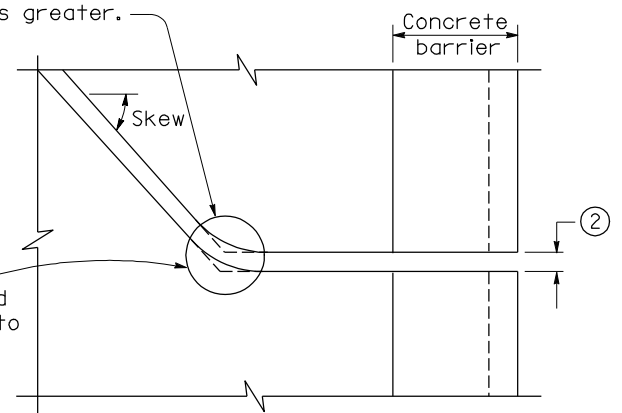
NOTE:
 The Contractor shall verify all controlling field dimensions before ordering or fabricating any material.

JOINT SEALS DETAILS



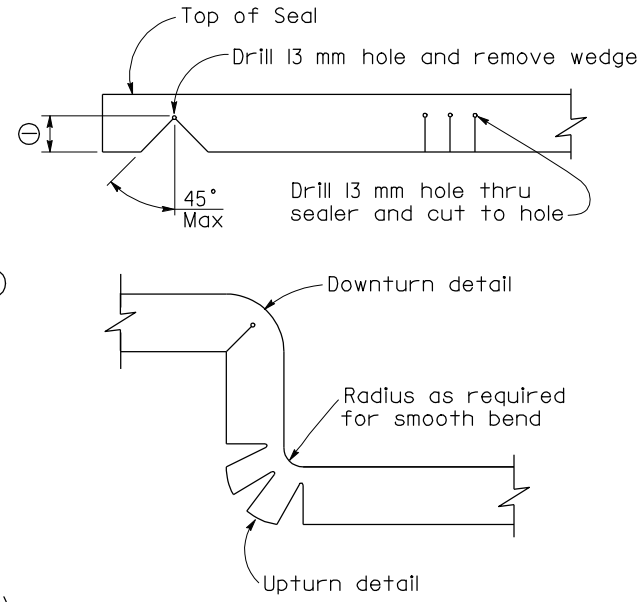
PLAN OF JOINT (SKEW ≤ 20°)

Min ϕ radius to be 4 times uncompressed width of seal or as recommended by the manufacturer, whichever is greater.



PLAN OF JOINT (SKEW > 20°)

In lieu of saw cutting, this area may be blocked out and reconstructed to match saw cutting on both sides.



DETAIL A

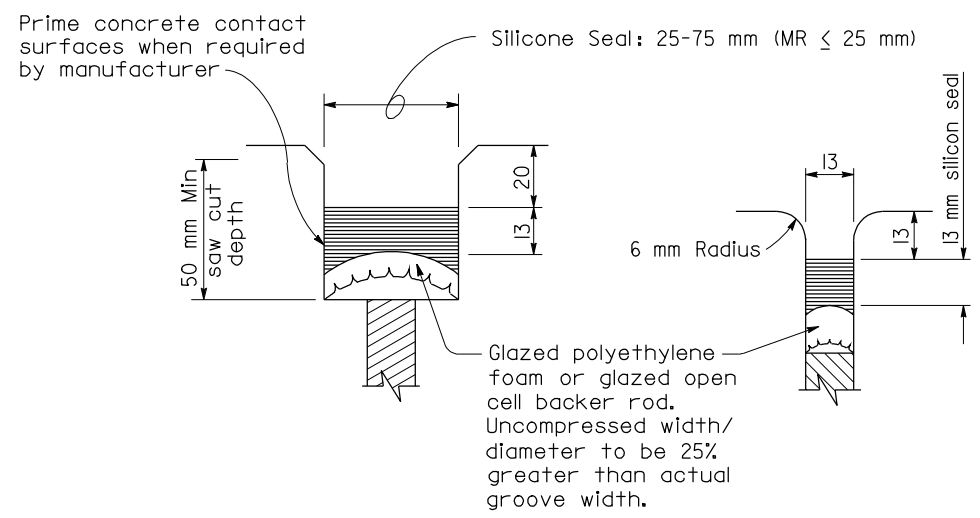
NOTES:

- Make smooth cuts from the bottom of seal to 40 mm clear of top leaving at least one complete cell between the top of the cut and top of the seal. When necessary cut back of seal to clear conduit and round openings.
- Opening in barrier to match width of sawn deck joint.
- Sawcut groove widths shall be as ordered by the Engineer.
- Depth of sawcut: Type A - Depth to be 50 mm minimum. Type B - Depth to be equal to or greater than the depth of seal measured along the contact surface, when compressed to minimum width position (W_2) plus dimensions shown above.
- MR (movement rating) as shown on other plan sheets.
- Other depths must be approved by the Engineer.

DIMENSIONS "a" OF JOINT REQUIRED

Movement Rating (MR) ⑤	Bridge Type	"a" Dimension		
		Deck Concrete Placed		
		Winter	Fall-Spring	Summer
50 mm	All except CIP/PS	40 mm	30 mm	20 mm
	CIP/PS	30 mm	25 mm	13 mm
40 mm	All except CIP/PS	30 mm	25 mm	13 mm
	CIP/PS	25 mm	20 mm	13 mm
25 mm	All except CIP/PS	25 mm	20 mm	13 mm
	CIP/PS	20 mm	13 mm	13 mm
13 mm	All except CIP/PS	20 mm	20 mm	13 mm
	CIP/PS	13 mm	13 mm	13 mm

STATE OF CALIFORNIA
 DEPARTMENT OF TRANSPORTATION
JOINT SEALS
(MAXIMUM MOVEMENT RATING = 50 mm)
 NO SCALE

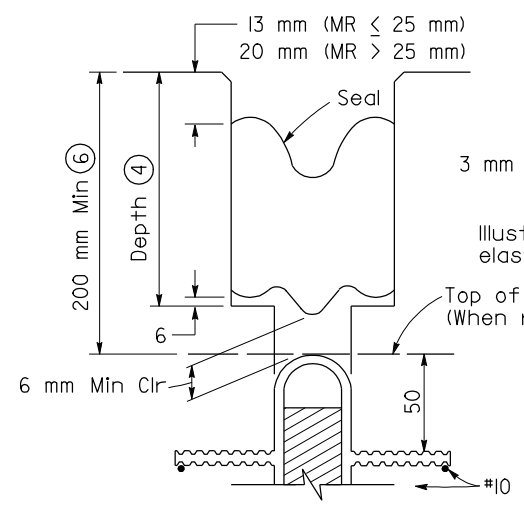


TYPE A SEAL

Movement rating : Silicone = 25 mm Max

TYPE AL SEAL

Longitudinal joints only



TYPE B JOINT SEAL IN MINIMUM WIDTH POSITION (W_2)

TYPE B SEAL

Movement Rating ≤ 50 mm

ALL DIMENSIONS ARE IN MILLIMETERS UNLESS OTHERWISE SHOWN
 RSP B6-21 DATED OCTOBER 5, 2007 SUPERSEDES RSP B6-21 DATED JANUARY 26, 2005 AND STANDARD PLAN B6-21 DATED JULY 1, 2004-PAGE 258 OF THE STANDARD PLANS BOOK DATED JULY 2004.