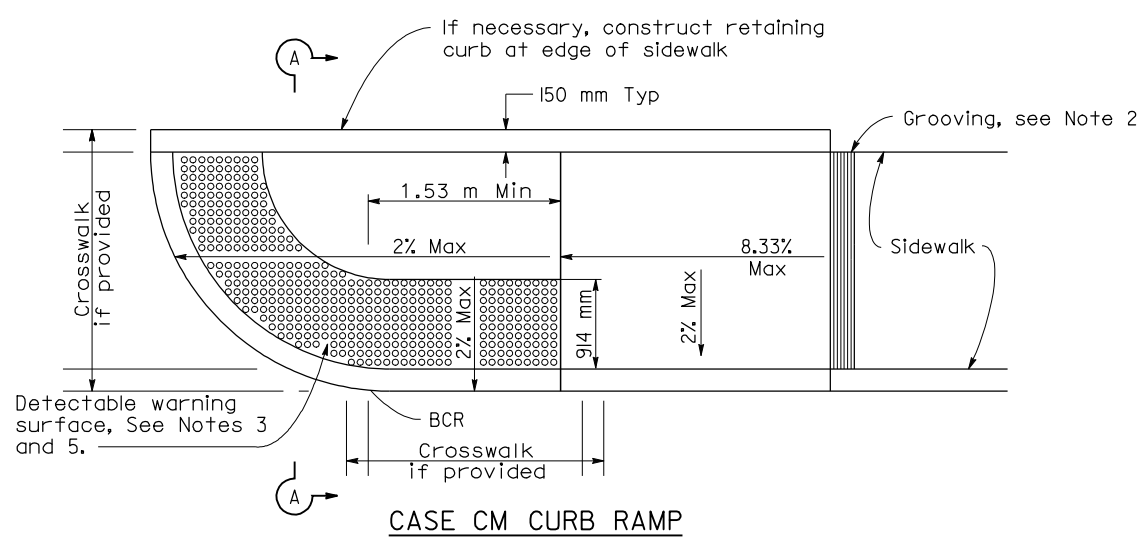




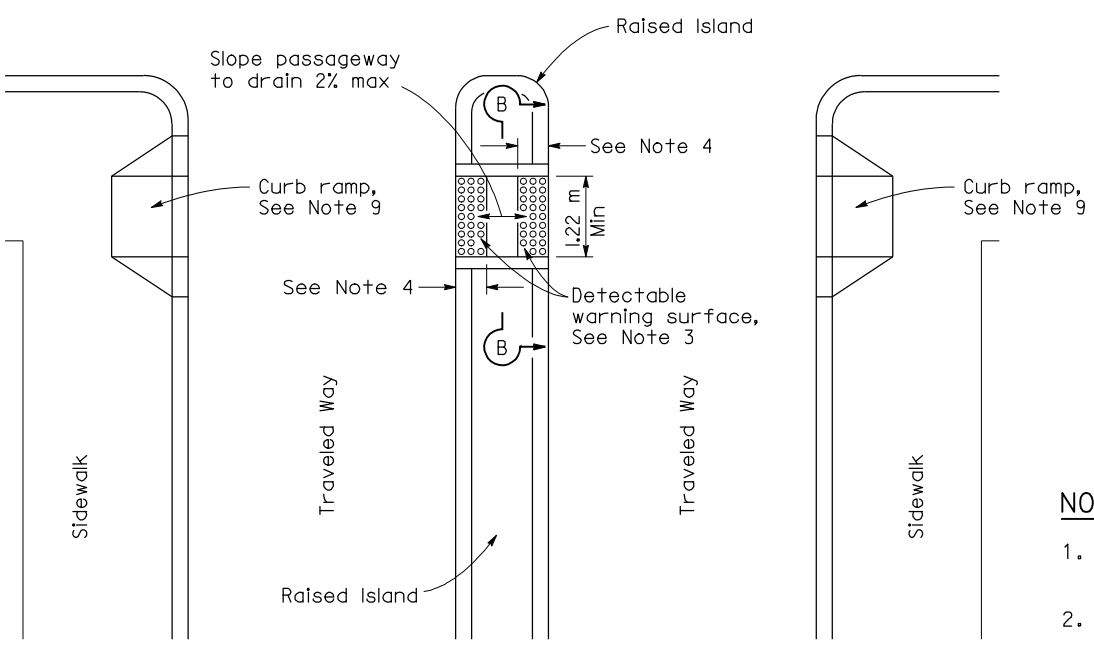
DIST	COUNTY	ROUTE	KILOMETER TOTAL PROJECT	POST NO.	SHEET NO.	TOTAL SHEETS

H. David Cochran
 REGISTERED CIVIL ENGINEER
 December 16, 2005
 PLANS APPROVAL DATE
 HECTOR David Cordova
 No. C41957
 Exp. 3-31-06
 CIVIL
 STATE OF CALIFORNIA
 REGISTERED PROFESSIONAL ENGINEER

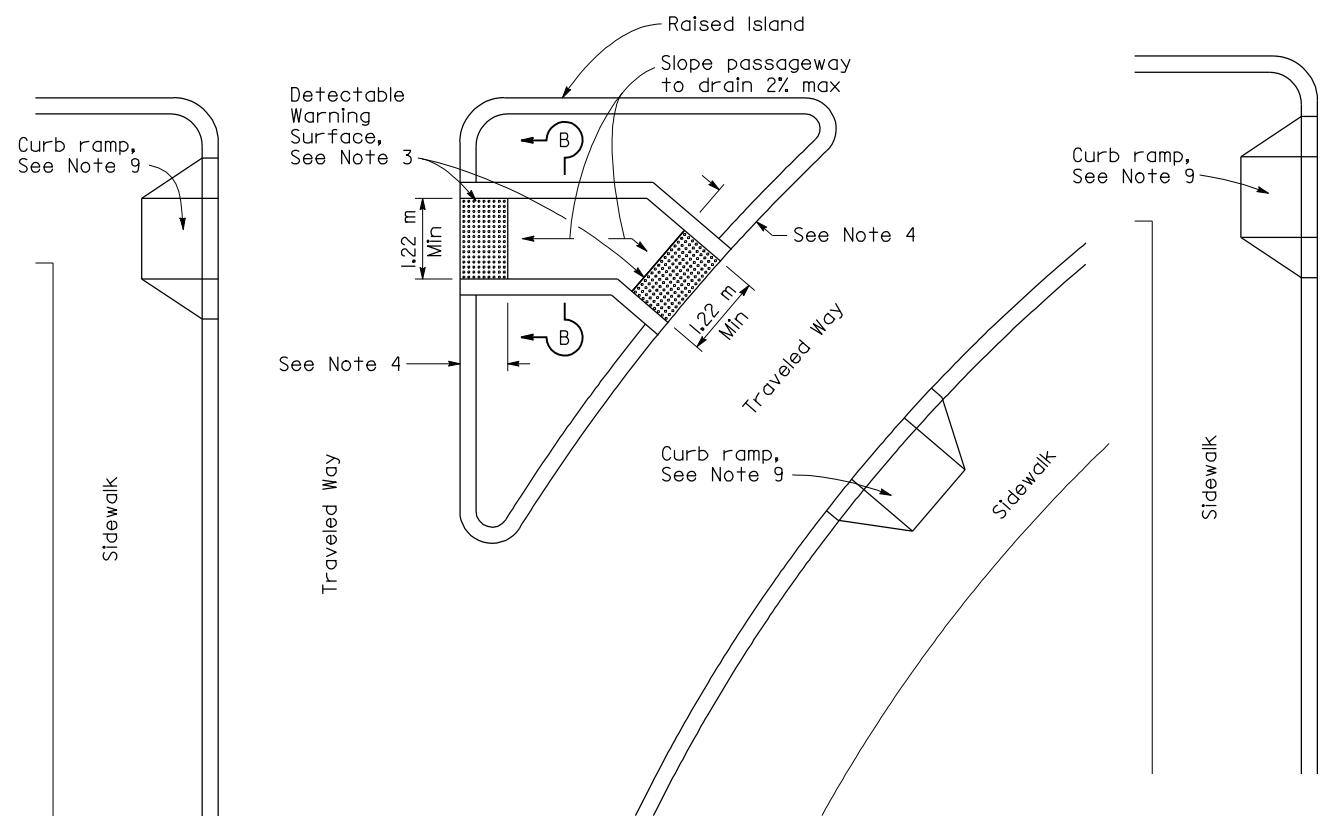
The State of California or its officers or agents shall not be responsible for the accuracy or completeness of electronic copies of this plan sheet.
 To get to the Caltrans web site, go to: <http://www.dot.ca.gov>



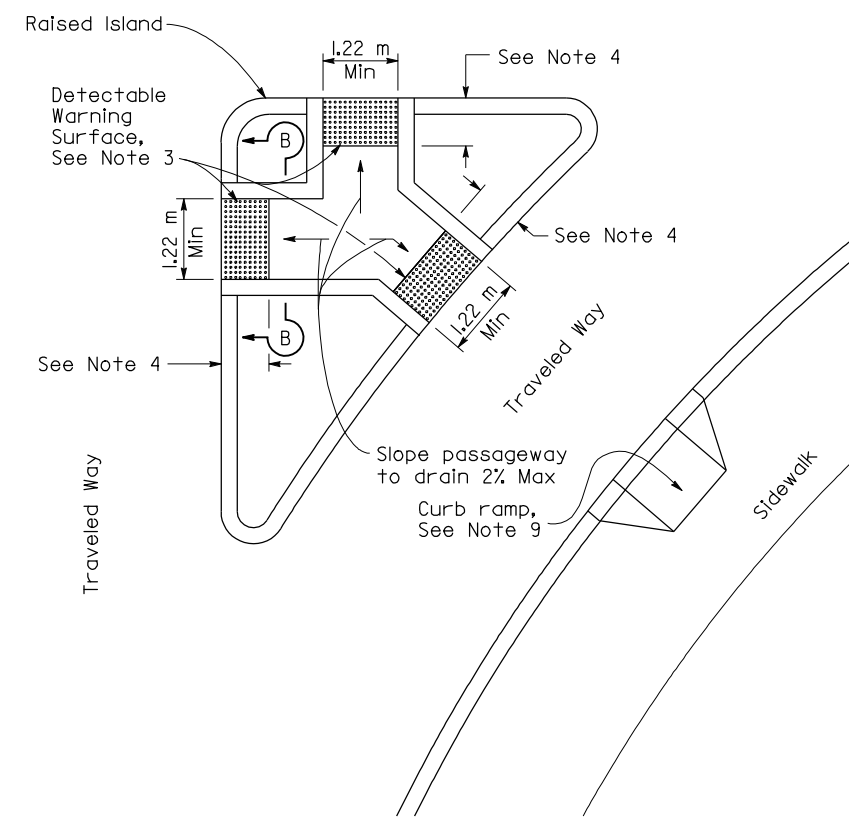
CASE CM CURB RAMP



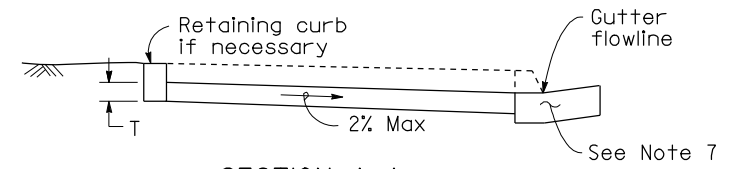
TYPE A PASSAGEWAY



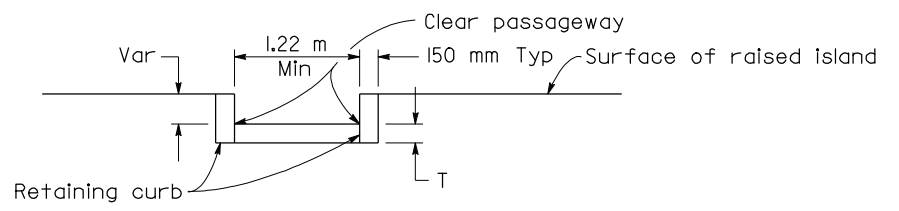
TYPE B PASSAGEWAY



TYPE C PASSAGEWAY



SECTION A-A



SECTION B-B

NOTES

- Sidewalk, ramp and passageway thickness, 'T', shall be 90 mm minimum.
- For details of grooving used with Case CM curb ramp, see Revised Standard Plan RSP A88A.
- For details of detectable warning surfaces, see Revised Standard Plan RSP A88A.
- Where an island passage way length is less than 1.8 m, the detectable warning surface shall extend the full width and full depth of the passage way length. Where an island passage way length is greater than or equal to 1.8 m, but less than 2.44 m, each detectable warning surface shall extend the full width and 600 mm depth of the passage way length. Where an island passage way length is greater than or equal to 2.44 m, each detectable warning surface shall extend the full width and 914 mm depth of the passage way length.
- For Case CM curb ramp, the edge of the detectable warning surface nearest the street shall be between 150 mm and 205 mm from the gutter flowline.
- Transitions from ramps to walks, gutters or streets shall be flush and free of abrupt changes.
- Maximum slopes of adjoining gutters, the road surface immediately adjacent to the curb ramp, or accessible route shall not exceed 5 percent within 1.22 m of the top and bottom of the curb ramp.
- Utility pull boxes, manholes, vaults and all other utility facilities within the boundaries of the curb ramp will be relocated or adjusted to grade by the owner prior to, or in conjunction with, curb ramp construction.
- For additional curb ramp details, see Revised Standard Plan RSP A88A.

STATE OF CALIFORNIA
 DEPARTMENT OF TRANSPORTATION
CURB RAMP AND ISLAND PASSAGEWAY DETAILS

NO SCALE
 ALL DIMENSIONS ARE IN MILLIMETERS UNLESS OTHERWISE SHOWN

RSP A88B DATED DECEMBER 16, 2005 SUPERSEDES STANDARD PLAN A88B DATED JULY 1, 2004-PAGE 118 OF THE STANDARD PLANS BOOK DATED JULY 2004.

REVISED STANDARD PLAN RSP A88B

2004 REVISED STD PLAN RSP A88B