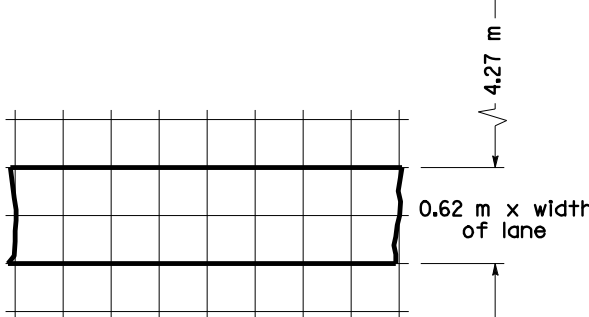
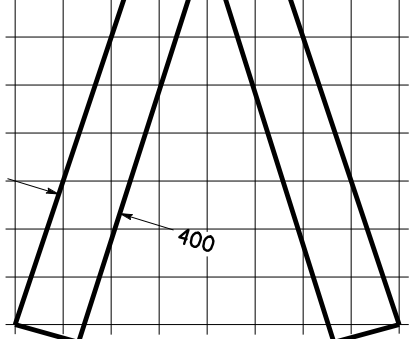
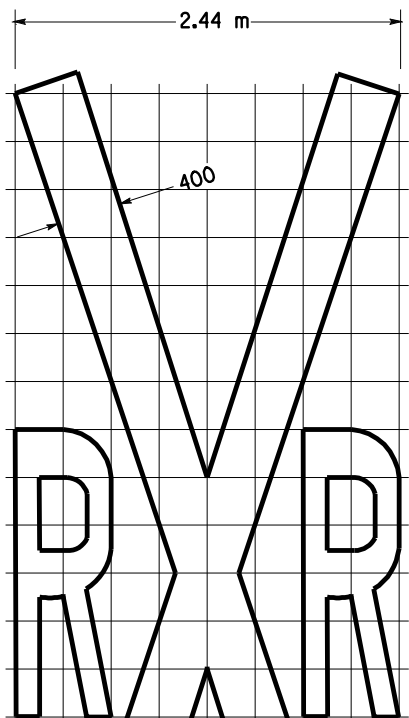
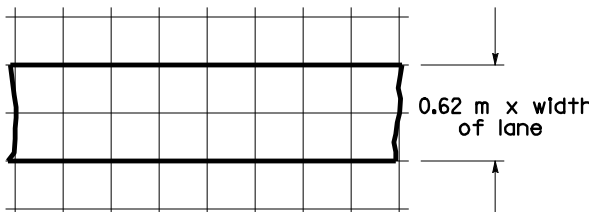


DIST	COUNTY	ROUTE	KILOMETER TOTAL PROJECT	POST TOTAL PROJECT	SHEET NO.	TOTAL SHEETS

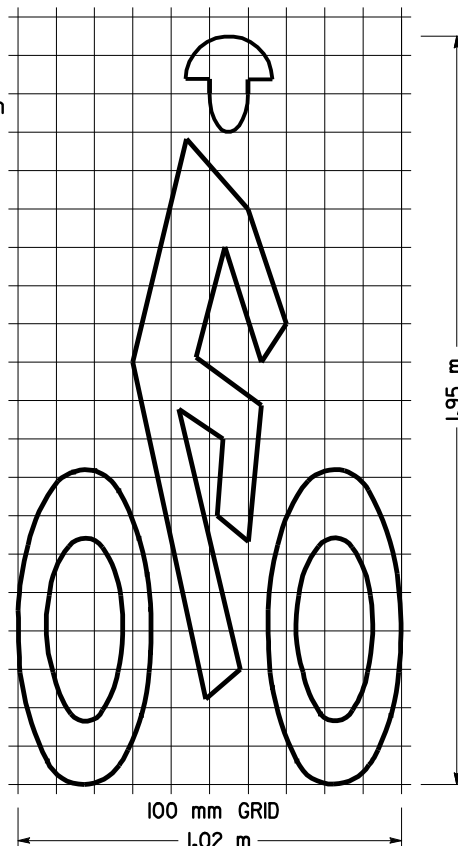
Donald E. Howe
 REGISTERED CIVIL ENGINEER
 June 6, 2008
 PLANS APPROVAL DATE
 No. C46402
 Exp. 3-31-09
 CIVIL
 STATE OF CALIFORNIA

The State of California or its officers or agents shall not be responsible for the accuracy or completeness of electronic copies of this plan sheet.

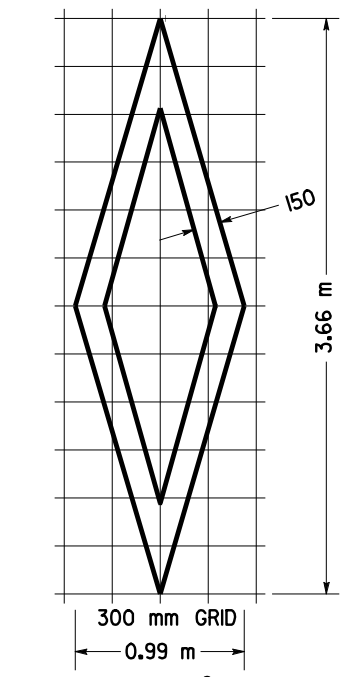
To get to the Caltrans web site, go to: <http://www.dot.ca.gov>



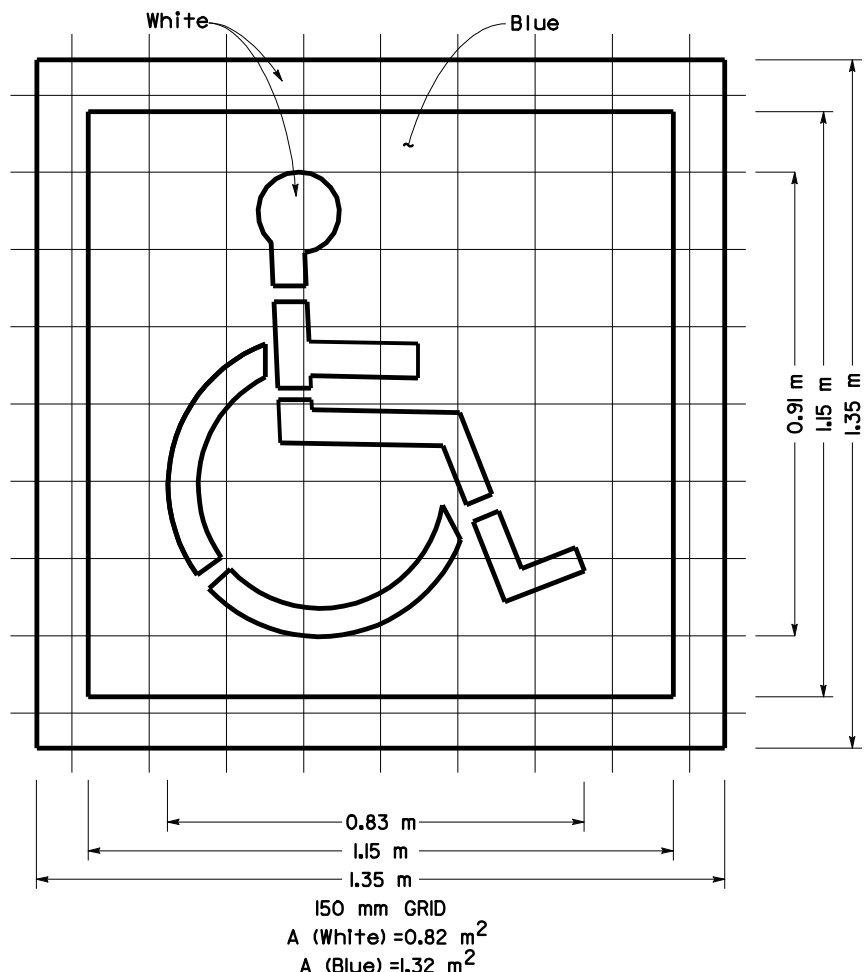
RAILROAD CROSSING SYMBOL
 300 mm GRID
 $A=6.50 \text{ m}^2$ ✱
 ✱6.5 m² DOES NOT INCLUDE THE 0.6 m x VARIABLE WIDTH TRANSVERSE LINES.



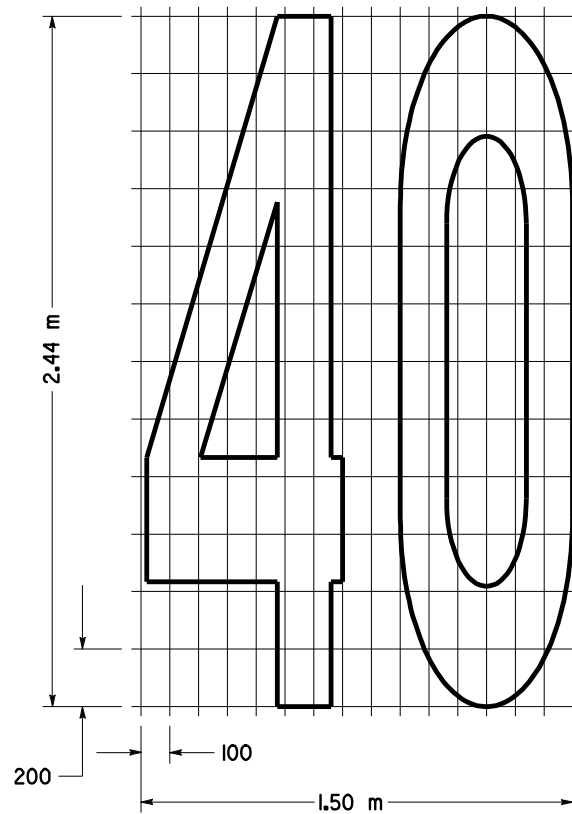
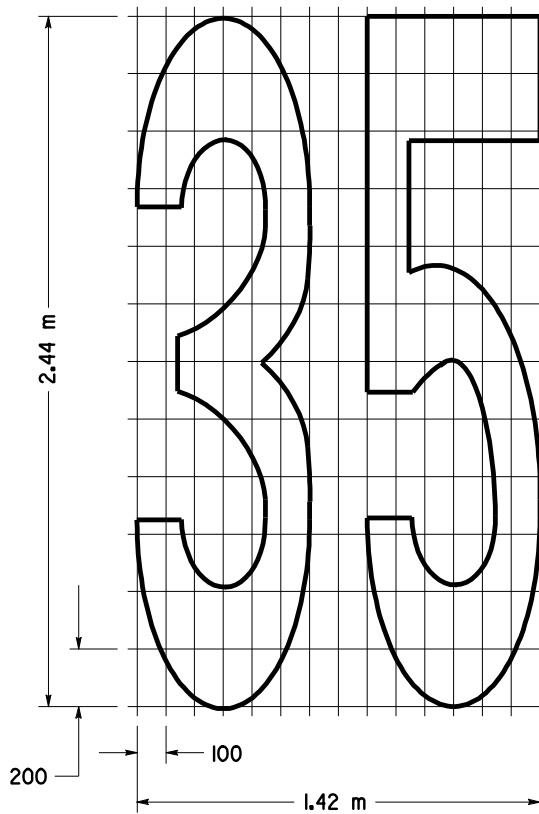
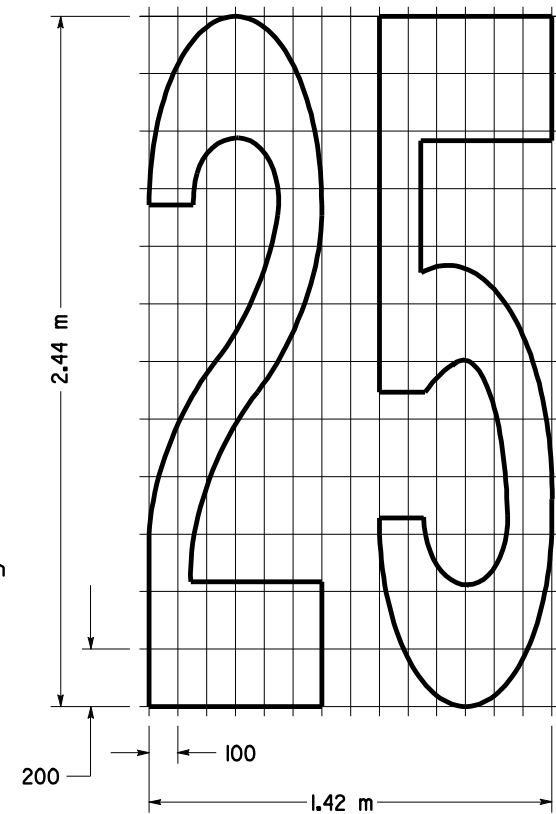
BIKE LANE SYMBOL



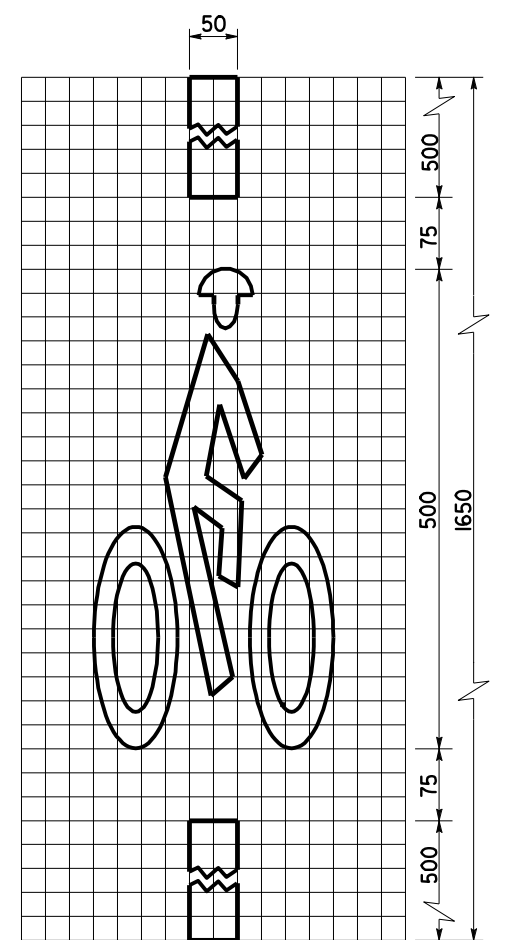
$A=1.02 \text{ m}^2$
DIAMOND SYMBOL



INTERNATIONAL SYMBOL OF ACCESSIBILITY MARKING



NUMERALS



BICYCLE LOOP DETECTOR SYMBOL

NOTE:
 1. Minor variations in dimensions may be accepted by the Engineer.

STATE OF CALIFORNIA
 DEPARTMENT OF TRANSPORTATION
PAVEMENT MARKINGS SYMBOLS AND NUMERALS
 NO SCALE

ALL DIMENSIONS ARE IN MILLIMETERS UNLESS OTHERWISE SHOWN
 RSP A24C DATED JUNE 6, 2008 SUPERSEDES STANDARD PLAN A24C DATED July 1, 2004 - PAGE 11 OF THE STANDARD PLANS BOOK DATED July 2004.

2004 REVISED Std PLAN RSP A24C