



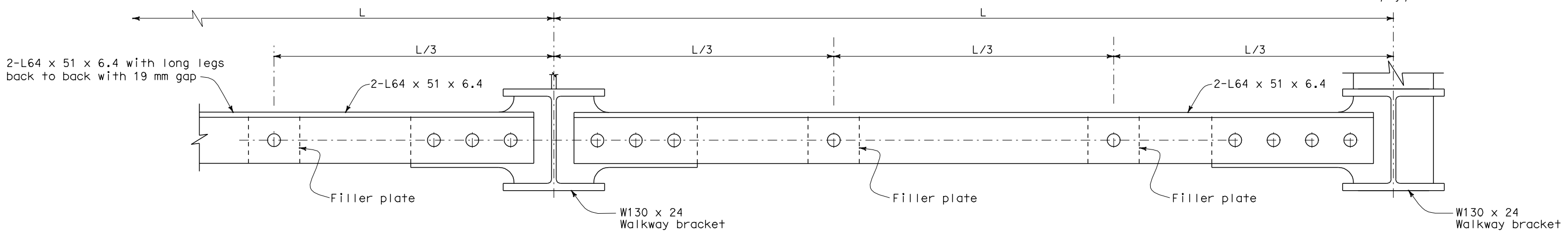
DIST	COUNTY	ROUTE	KILOMETER POST TOTAL PROJECT	SHEET NO.	TOTAL SHEETS

REGISTERED CIVIL ENGINEER
Tillat Sattar
 No. C42892
 Exp 03-31-2006
 CIVIL
 STATE OF CALIFORNIA

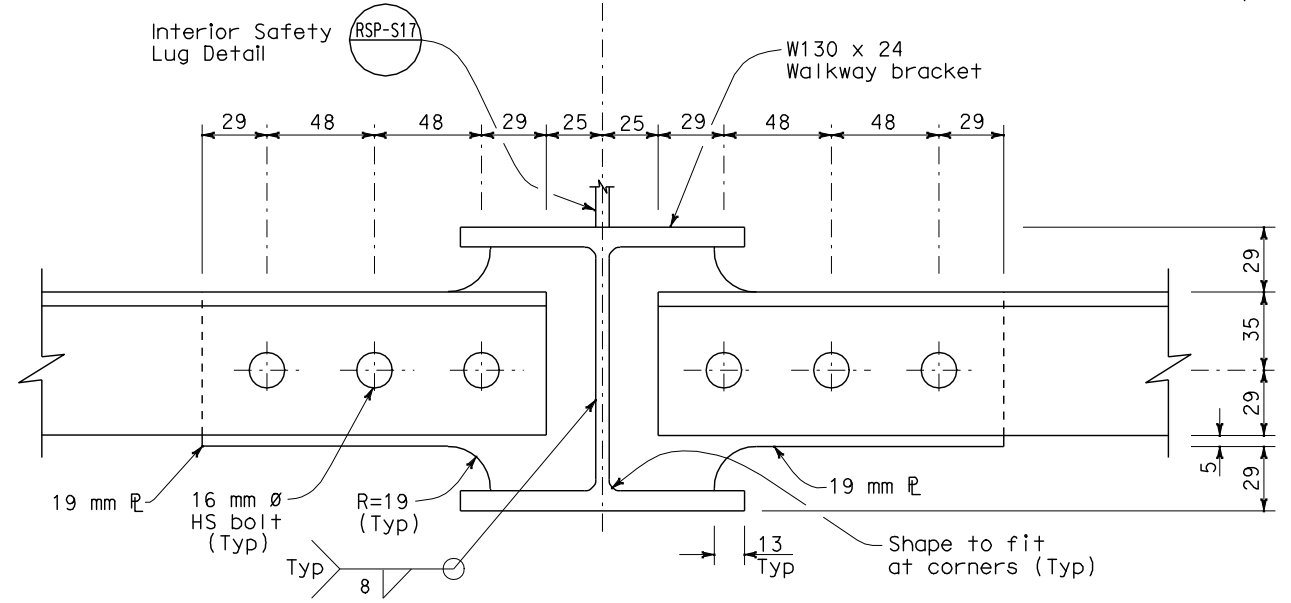
January 24, 2005
 PLANS APPROVAL DATE

The State of California or its officers or agents shall not be responsible for the accuracy or completeness of electronic copies of this plan sheet.

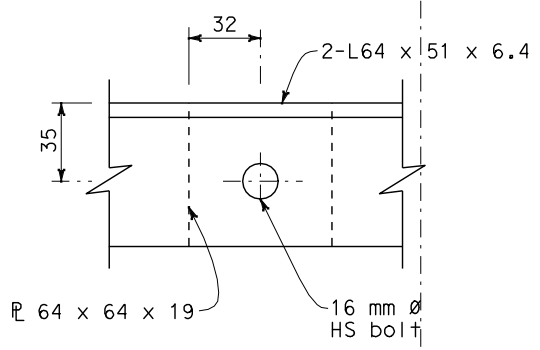
To get to the Caltrans web site, go to: <http://www.dot.ca.gov>



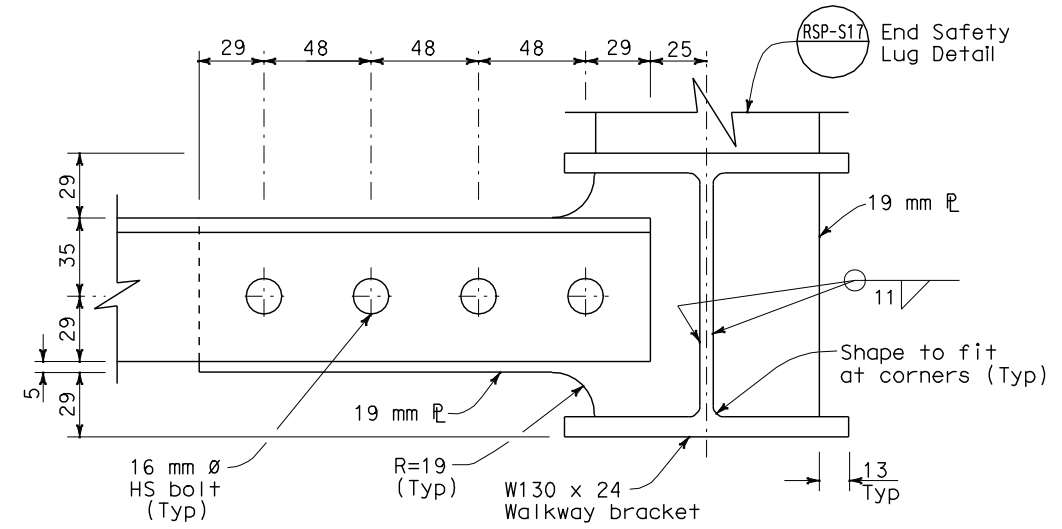
STRUT SYSTEM AT TUBULAR SIGNS
 (Continuous between end safety lug locations)



INTERIOR SAFETY LUG LOCATION



FILLER PLATE



END SAFETY LUG LOCATION

STATE OF CALIFORNIA
 DEPARTMENT OF TRANSPORTATION
**OVERHEAD SIGNS
 WALKWAY DETAILS No.3**

NO SCALE
 ALL DIMENSIONS ARE IN
 MILLIMETERS UNLESS OTHERWISE SHOWN

NSP S17A DATED JANUARY 24, 2005
 SUPPLEMENTS THE STANDARD PLANS BOOK DATED JULY 2004.

NEW STANDARD PLAN NSP S17A

326A

2004 NEW Std PLAN NSP S17A