



DIST	COUNTY	ROUTE	POST MILES TOTAL PROJECT	SHEET NO.	TOTAL SHEETS

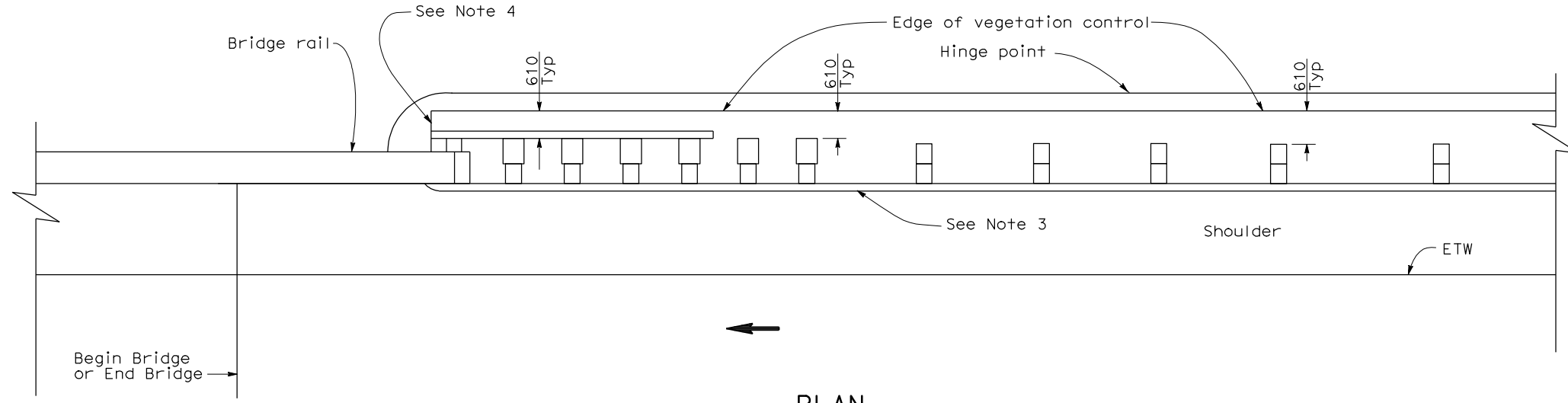
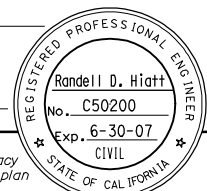
Randell D. Hiatt
REGISTERED CIVIL ENGINEER

October 20, 2006
PLANS APPROVAL DATE

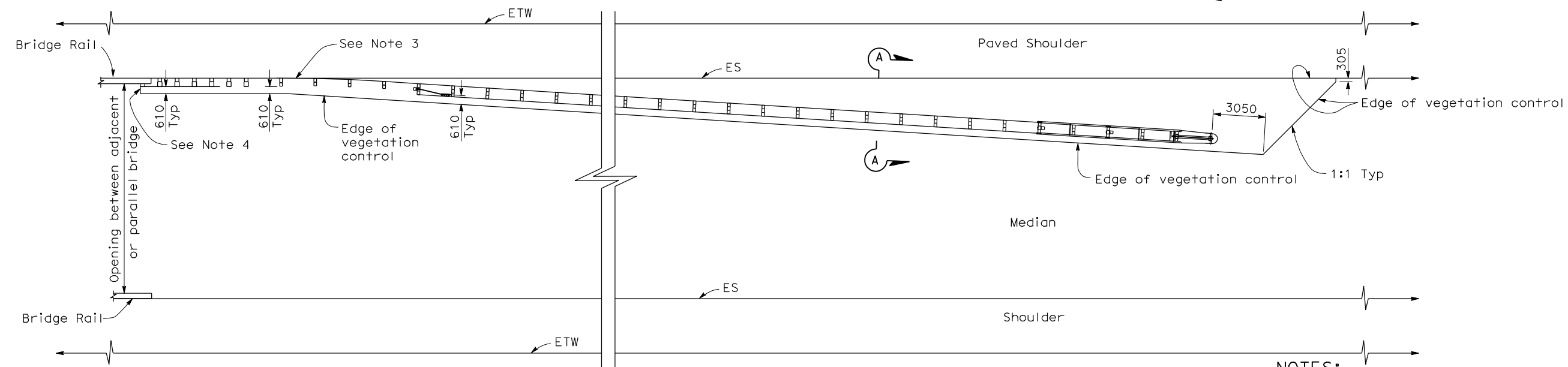
The State of California or its officers or agents shall not be responsible for the accuracy or completeness of electronic copies of this plan sheet.

To get to the Caltrans web site, go to: <http://www.dot.ca.gov>

To accompany plans dated _____



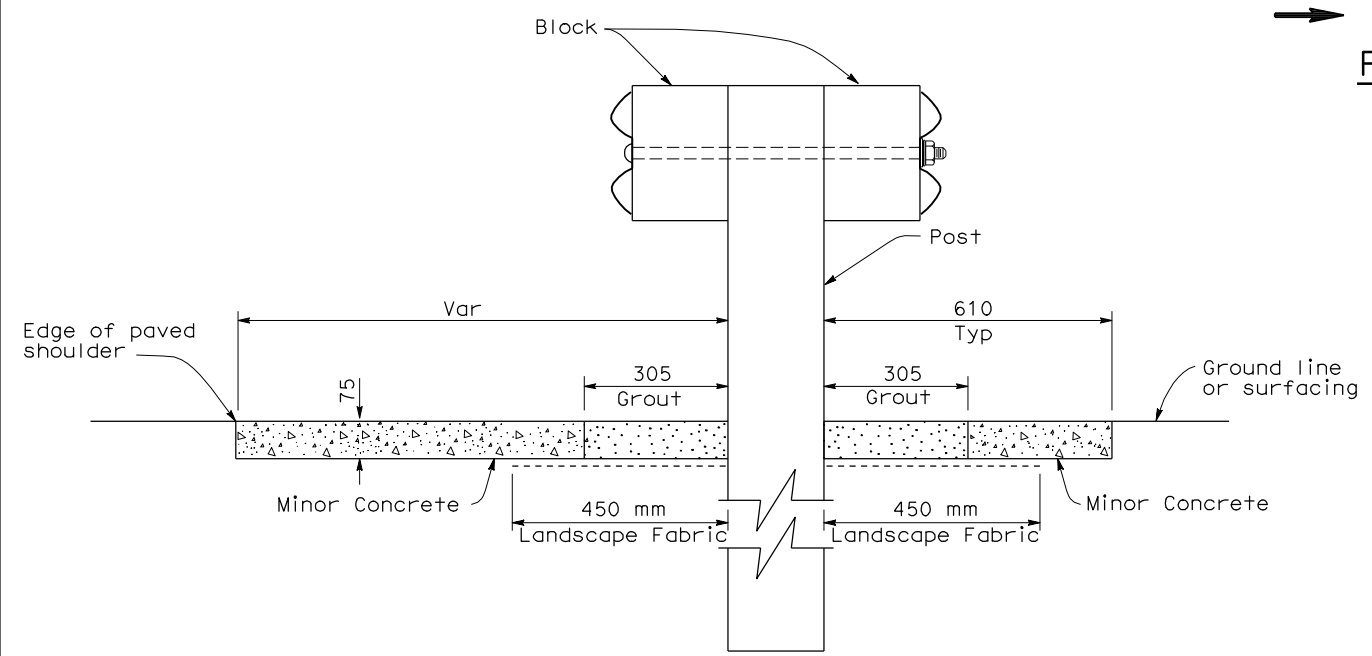
PLAN



PLAN

NOTES:

1. See New Standard Plan NSP A77C5 for additional vegetation control details.
2. Where the distance between back of post and hinge point is less than 610 mm, vegetation control to be constructed flush with the back edge of the post.
3. Where dike is constructed under railing, construct vegetation control to back edge of dike. Where paved shoulder is constructed within 610 mm in front of the post, construct vegetation control to the edge of paved shoulder.
4. End vegetation control at end of backside rail element.
5. Direction of adjacent traffic indicated by ←.



SECTION A-A

STATE OF CALIFORNIA
DEPARTMENT OF TRANSPORTATION

**METAL BEAM GUARD RAILING
TYPICAL VEGETATION CONTROL
AT STRUCTURE APPROACH
AND DEPARTURE**

NO SCALE

ALL DIMENSIONS ARE IN
MILLIMETERS UNLESS OTHERWISE SHOWN

NSP A77C7 DATED OCTOBER 20, 2006 SUPPLEMENTS THE STANDARD
PLANS BOOK DATED JULY 2006.

NEW STANDARD PLAN NSP A77C7

47C

2004 NEW STANDARD PLAN NSP A77C7