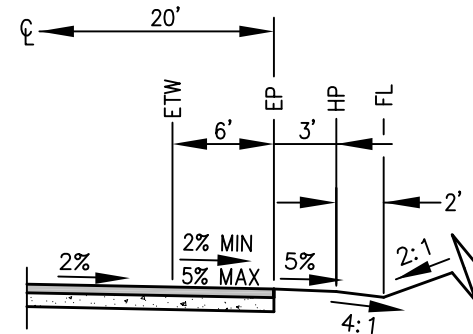


STANDARD SECTION IN EMBANKMENT

- RURAL FILL SECTION -
SEE NOTE 7



STANDARD SECTION IN EXCAVATION

- RURAL CUT SECTION -
SEE NOTE 7

* ADDITIONAL RIGHT-OF-WAY MAY BE REQUIRED WHEN ROAD COINCIDES WITH A DESIGNATED ROUTE FOR AN ADDITIONAL PUBLIC FACILITY (I.E. PEDESTRIAN, BICYCLE, OR EQUESTRIAN TRAIL)

NOT TO SCALE

APPROVED BY:

JAMES W. WARE, P.E. NO. C61036
DIRECTOR, EL DORADO COUNTY DEPARTMENT OF TRANSPORTATION

DATE:

BOARD OF SUPERVISOR'S RESOLUTION NO. _____

EL DORADO COUNTY
DEPARTMENT OF TRANSPORTATION
DESIGN STANDARDS



MAJOR TWO-LANE
UNDIVIDED ROAD

**STD.
PLAN**

RS-07

SHT 1 OF 2

NOTES:

1. PROVIDE FOR A TWELVE (12') FOOT LEFT TURN POCKET WITHIN 400' OF ANY INTERSECTION WITH A GENERAL PLAN DESIGNATED ROAD OR HIGH-VOLUME (GREATER THAN 400 PEAK HOUR) LOCAL ROAD, UNLESS OTHERWISE APPROVED BY THE COUNTY.
2. SEE CALTRANS STANDARD PLAN A87A.
3. SEE CALTRANS STANDARD PLAN A87A FOR SIDEWALK DETAIL. SIDEWALKS SHALL BE 4" PCC STANDARD: 6" TO 8" WITHIN DRIVEWAYS. IN EXISTING CUT SECTIONS, SCARIFY AND RECOMPACT SUBGRADE TO 95%, PER CALTRANS SPECIFICATION. WHERE EXISTING SIDEWALK IS WIDER THAN THE MINIMUM WIDTH SHOWN THEREON, NEW SIDEWALK SHALL MATCH THE EXISTING. ADJACENT TO SCHOOLS, SIDEWALKS SHALL BE 8' WIDE AND EXTEND BETWEEN SCHOOL PROPERTY LINES. WHERE ROAD FRONTS COMMERCIAL/INDUSTRIAL WITH A ZERO-FT SETBACK, SIDEWALK SHALL BE 8'.
4. CUT AND FILL SLOPES SHALL BE NO STEEPER THAN TWO HORIZONTAL TO ONE VERTICAL, UNLESS A GEOTECHNICAL ENGINEER DETERMINES THAT A STEEPER SLOPE WILL BE SAFE FOR THE INTENDED USE AND WILL NOT BE SUSCEPTIBLE TO EROSION. SLOPES CONSTRUCTED FOUR HORIZONTAL TO ONE VERTICAL OR FLATTER DO NOT REQUIRE SLOPE EASEMENTS.
5. MAXIMUM STREET GRADES WITHOUT APPROVED DESIGN EXCEPTION:

BELOW 3000' ELEVATION:

GENERAL PLAN ROADWAYS AND COLLECTOR ROADWAYS WHERE ADT >10,000 = 8%
 COLLECTOR ROADWAYS WHERE ADT >4000 AND <10,000 = 10%
 LOCAL ROADWAYS AND COLLECTOR ROADWAYS WHERE ADT <4000 = 12%

ABOVE 3000' ELEVATION:

10% ALL ROADWAYS
6. MINIMUM STREET FLOW LINE GRADES SHALL BE 0.5%. REVERSE GRADE VERTICAL CURVES EXCEPTED.
7. ROADS IN RURAL REGIONS, RURAL CENTERS, AND THE CAMINO/POLLOCK PINES COMMUNITY REGION ARE NOT REQUIRED TO HAVE PCC CURB, GUTTER AND SIDEWALK. SHOULDERS SHALL BE PAVED TO THE WIDTH SHOWN (6"). ALTERNATE DITCH SECTIONS MAY BE APPROVED OR REQUIRED.
8. STRUCTURAL SECTION SHALL BE BASED ON "R" VALUE AND "T.I.". DESIGN TO BE SUBMITTED TO DOT FOR REVIEW AND APPROVAL.
9. HOT MIX ASPHALT (HMA) SHALL BE TYPE A, 1/2"; AGGREGATE BASE (AB) SHALL BE CLASS 2, 3/4"
10. THE TOP 6" OF SUBGRADE AND ALL BASE AND SUBBASE SHALL BE COMPACTED TO 95% RELATIVE COMPACTION.
11. SUBGRADE ENHANCEMENT GEOTEXTILE SHOULD BE CONSIDERED FOR NATIVE SOIL R-VALUES LESS THAN 20.
12. FOUNDATION SLOPES STEEPER THAN FIVE HORIZONTAL TO ONE VERTICAL SHALL BE KEYED WHEN PLACING EMBANKMENT FILL. KEYS PER GRADING REQUIREMENTS.
13. SLOPE & DRAINAGE EASEMENTS (S&DE) SHALL EXTEND 5' MIN. BEYOND HINGE POINTS, TOE OF SLOPES, AND DRAINAGE STRUCTURES. SEE STANDARD PLAN RS-11 FOR ADDITIONAL SLOPE DETAILS.

APPROVED BY:

JAMES W. WARE, P.E. NO. C61036
 DIRECTOR, EL DORADO COUNTY DEPARTMENT OF TRANSPORTATION

DATE: _____

BOARD OF SUPERVISOR'S RESOLUTION NO. _____

EL DORADO COUNTY
 DEPARTMENT OF TRANSPORTATION
DESIGN STANDARDS



MAJOR TWO-LANE
 UNDIVIDED ROAD

**STD.
 PLAN**

RS-07

SHT 2 OF 2