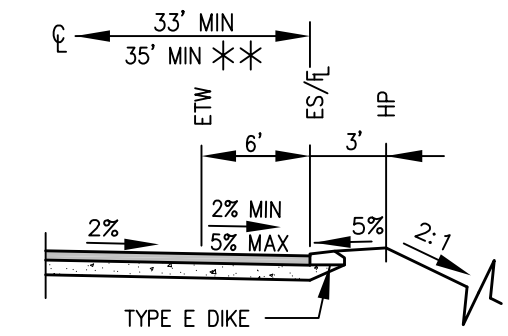
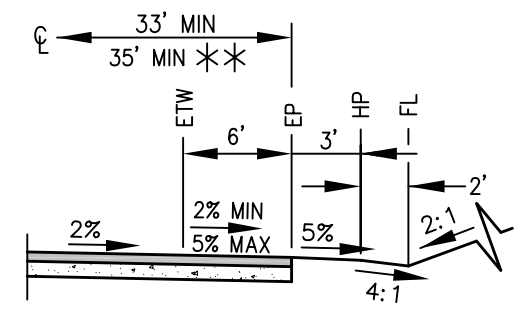


* ADDITIONAL RIGHT-OF-WAY MAY BE REQUIRED WHEN ROAD COINCIDES WITH A DESIGNATED ROUTE FOR AN ADDITIONAL PUBLIC FACILITY (I.E. PEDESTRIAN, BICYCLE, OR EQUESTRIAN TRAIL)

** DIMENSIONS FOR CURBED MEDIAN ALTERNATIVE



- RURAL FILL SECTION -
SEE NOTE 9

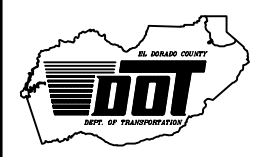


- RURAL CUT SECTION -
SEE NOTE 9

NOT TO SCALE

APPROVED BY:
 JAMES W. WARE, P.E. NO. C61036
 DIRECTOR, EL DORADO COUNTY DEPARTMENT OF TRANSPORTATION
 DATE: _____
 BOARD OF SUPERVISOR'S RESOLUTION NO. _____

EL DORADO COUNTY
 DEPARTMENT OF TRANSPORTATION
 DESIGN STANDARDS



FOUR-LANE
 DIVIDED ROAD

STD.
 PLAN
 RS-03
 SHT 1 OF 2

NOTES:

1. THE STANDARD SECTION SHALL BE USED EXCEPT AS NOTED BELOW. THE CURBED MEDIAN ALTERNATE MAY BE ACCEPTABLE UNDER ANY OF THE FOLLOWING CONDITIONS AND SUBJECT TO APPROVAL OF THE COUNTY.
 - A. WHEN IT FILLS A GAP ON A STRETCH OF ROADWAY ALREADY BUILT WITH CURBED MEDIAN.
 - B. WHEN IT IS A SHORT SECTION NEAR INTERSECTION FOR DELINEATION AND/OR PLACING TRAFFIC CONTROL DEVICES.
 - C. WHEN NECESSARY TO CONTROL TURN MOVEMENTS AND ACCESS ON HEAVILY TRAVELED ROADS WITH MULTIPLE DRIVEWAYS.
 - D. WHEN IT IS TO BE LANDSCAPED
2. IF THE CURBED MEDIAN ALTERNATIVE IS USED, THE FOLLOWING APPLIES:
 - A. SEE CALTRANS STANDARD PLAN A87A.
 - B. THE MEDIAN SHALL BE PAVED WITH 2" HMA AND APPROVED SOIL STERILANT UNLESS LANDSCAPING OR OTHER SURFACING IS APPROVED BY THE COUNTY.
 - C. LANDSCAPED MEDIANS SHALL NOT BE MAINTAINED WITH ROAD FUNDS; AN APPROVED METHOD OF FUNDING MAINTENANCE SHALL BE ESTABLISHED PRIOR TO APPROVAL OF STREET IMPROVEMENT PLANS.
3. 6' MEDIAN WIDTH IS MINIMUM FOR A DIVIDED ROADWAY. ADDITIONAL WIDTH IS REQUIRED FOR TWO-WAY LEFT-TURN LANES (TWLTL) AND AT INTERSECTIONS WHERE LEFT-TURN POCKETS ARE NECESSARY.
4. SEE CALTRANS STANDARD PLAN A87A.
5. SIDEWALKS SHALL BE 4" PCC STANDARD. 6" TO 8" WITHIN DRIVEWAYS. IN EXISTING CUT SECTIONS, SCARIFY AND RECOMPACT SUBGRADE TO 95% PER CALTRANS SPECIFICATION. WHERE EXISTING SIDEWALK IS WIDER THAN THE MINIMUM WIDTH SHOWN THEREON, NEW SIDEWALK SHALL MATCH THE EXISTING. ADJACENT TO SCHOOLS, SIDEWALKS SHALL BE 8' WIDE AND EXTEND BETWEEN SCHOOL PROPERTY LINES. WHERE ROAD FRONTS COMMERCIAL/INDUSTRIAL WITH A ZERO-FT SETBACK, SIDEWALK SHALL BE 8'.
6. CUT AND FILL SLOPES SHALL BE NO STEEPER THAN TWO HORIZONTAL TO ONE VERTICAL, UNLESS A GEOTECHNICAL ENGINEER DETERMINES THAT A STEEPER SLOPE WILL BE SAFE FOR THE INTENDED USE AND WILL NOT BE SUSCEPTIBLE TO EROSION. SLOPES CONSTRUCTED FOUR HORIZONTAL TO ONE VERTICAL OR FLATTER DO NOT REQUIRE SLOPE EASEMENTS.
7. MAXIMUM STREET GRADES WITHOUT APPROVED DESIGN EXCEPTION:

BELOW 3000' ELEVATION:

GENERAL PLAN ROADWAYS AND COLLECTOR ROADWAYS WHERE ADT >10,000 = 8%
 COLLECTOR ROADWAYS WHERE ADT >4000 AND <10,000 = 10%
 LOCAL ROADWAYS AND COLLECTOR ROADWAYS WHERE ADT <4000 = 12%

ABOVE 3000' ELEVATION:

10% ALL ROADWAYS
8. MINIMUM STREET FLOW LINE GRADES SHALL BE 0.5% REVERSE GRADE, VERTICAL CURVES EXCEPTED.
9. ROADS IN RURAL REGIONS, RURAL CENTERS, AND THE CAMINO/POLLOCK PINES COMMUNITY REGION ARE NOT REQUIRED TO HAVE PCC CURB, GUTTER AND SIDEWALK. SHOULDERS SHALL BE PAVED TO THE WIDTH SHOWN (6'). ALTERNATE DITCH SECTIONS MAY BE APPROVED OR REQUIRED.
10. STRUCTURAL SECTION SHALL BE BASED ON "R" VALUE AND "I.I.". DESIGN TO BE SUBMITTED TO DOT FOR REVIEW AND APPROVAL.
11. HOT MIX ASPHALT (HMA) SHALL BE TYPE A, 1/2"; AGGREGATE BASE (AB) SHALL BE CLASS 2, 3/4"
12. THE TOP 6" OF SUBGRADE AND ALL BASE AND SUBBASE SHALL BE COMPACTED TO 95% RELATIVE COMPACTION.
13. SUBGRADE ENHANCEMENT GEOTEXTILE SHOULD BE CONSIDERED FOR NATIVE SOIL R-VALUES LESS THAN 20.
14. FOUNDATION SLOPES STEEPER THAN FIVE HORIZONTAL TO ONE VERTICAL ARE TO BE KEYED WHEN PLACING EMBANKMENT FILL. KEYS PER GRADING REQUIREMENTS.
15. SLOPE & DRAINAGE EASEMENTS (S&DE) SHALL EXTEND 5' MIN. BEYOND HINGE POINTS, TOE OF SLOPES, AND DRAINAGE STRUCTURES. SEE STANDARD PLAN RS-11 FOR ADDITIONAL SLOPE DETAILS.

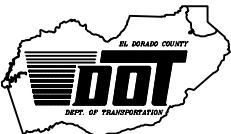
APPROVED BY:

JAMES W. WARE, P.E. NO. C61036
 DIRECTOR, EL DORADO COUNTY DEPARTMENT OF TRANSPORTATION

DATE:

BOARD OF SUPERVISOR'S RESOLUTION NO. _____

EL DORADO COUNTY
 DEPARTMENT OF TRANSPORTATION
DESIGN STANDARDS



**FOUR-LANE
 DIVIDED ROAD**

**STD.
 PLAN**

RS-03

SHT 2 OF 2