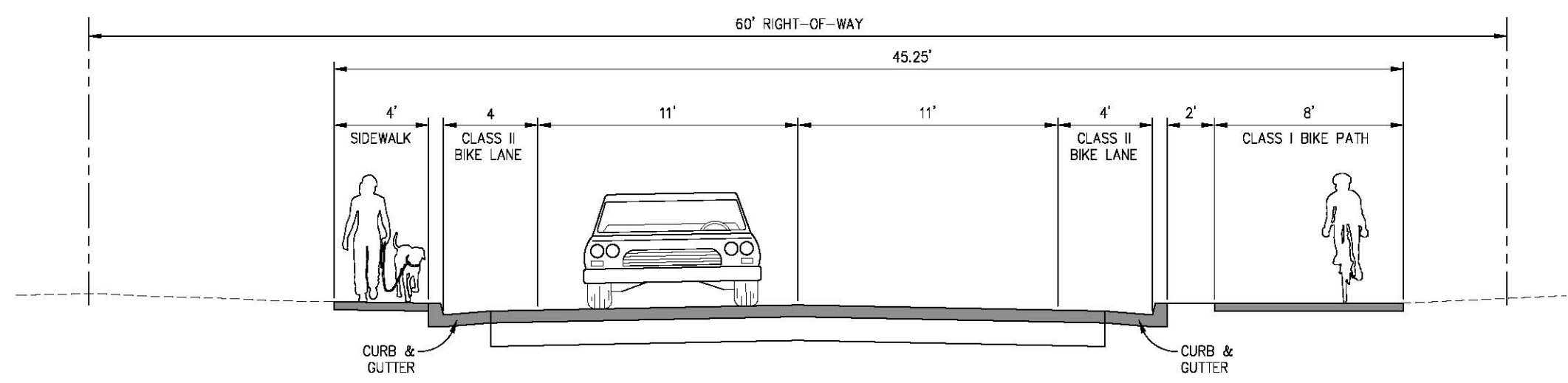
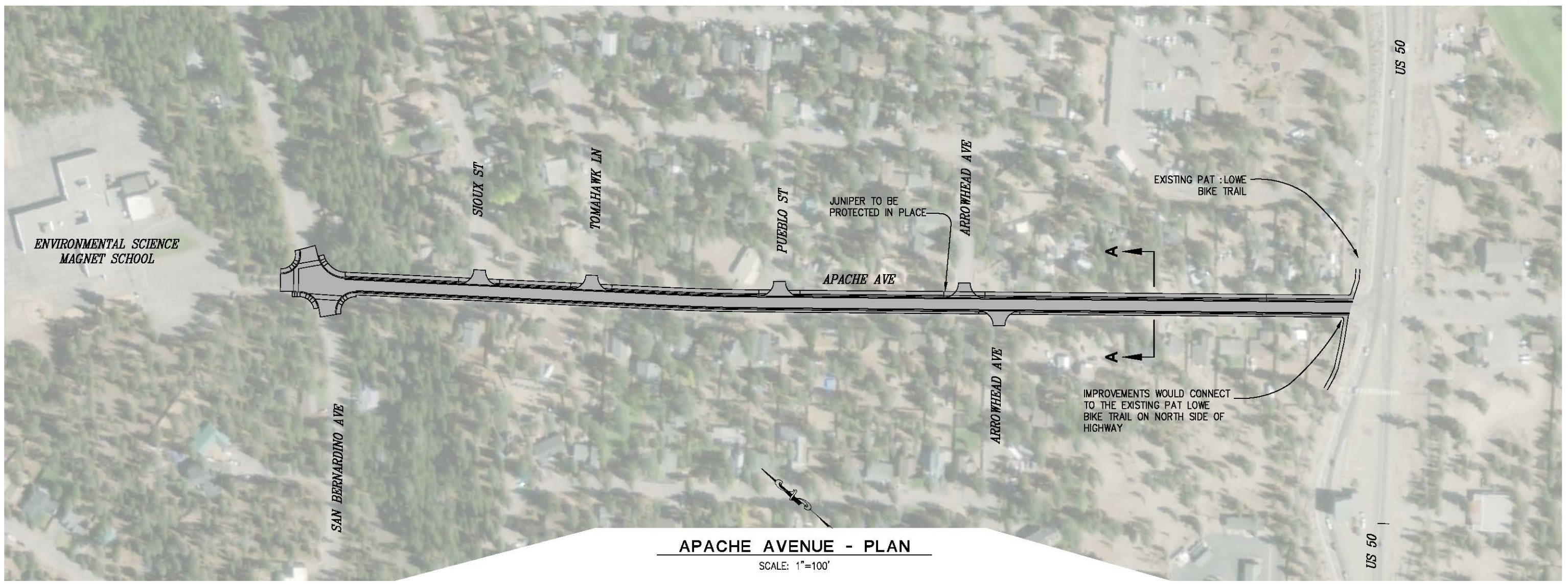


ORIGINAL SCALE IS IN INCHES  
 Drawing name: \\CDADat05\TD-SLT-Engineering\Civil\_3D\_PROJECTS\95199\Exhibits\Caltrans\Apache\_Roadway\_Improvements.dwg  
 Layout Tab: EX-2 Jan 27, 2021 - 9:00am dkkkert  
 FOR REDUCED PLANS  
 REVISION



**PRELIMINARY - CONCEPTUAL ONLY**

**APACHE AVENUE**  
 ROADWAY AND PEDESTRIAN IMPROVEMENTS  
 SCALE : AS SHOWN

REVISION	NUMBER	DATE	DESCRIPTION	BY

PREPARED UNDER THE SUPERVISION OF :  REGISTERED CIVIL ENGINEER DATE:	DESIGNED: - CHECKED: - ROAD NUMBER: 2016	DRAWN: DWK DATE: 01/22/21
---	--	------------------------------



COUNTY OF EL DORADO  
 DEPARTMENT OF TRANSPORTATION

**APACHE AVENUE**

SHEET  
**EX-2**  
 2 OF 2  
 W.D. No. 95199